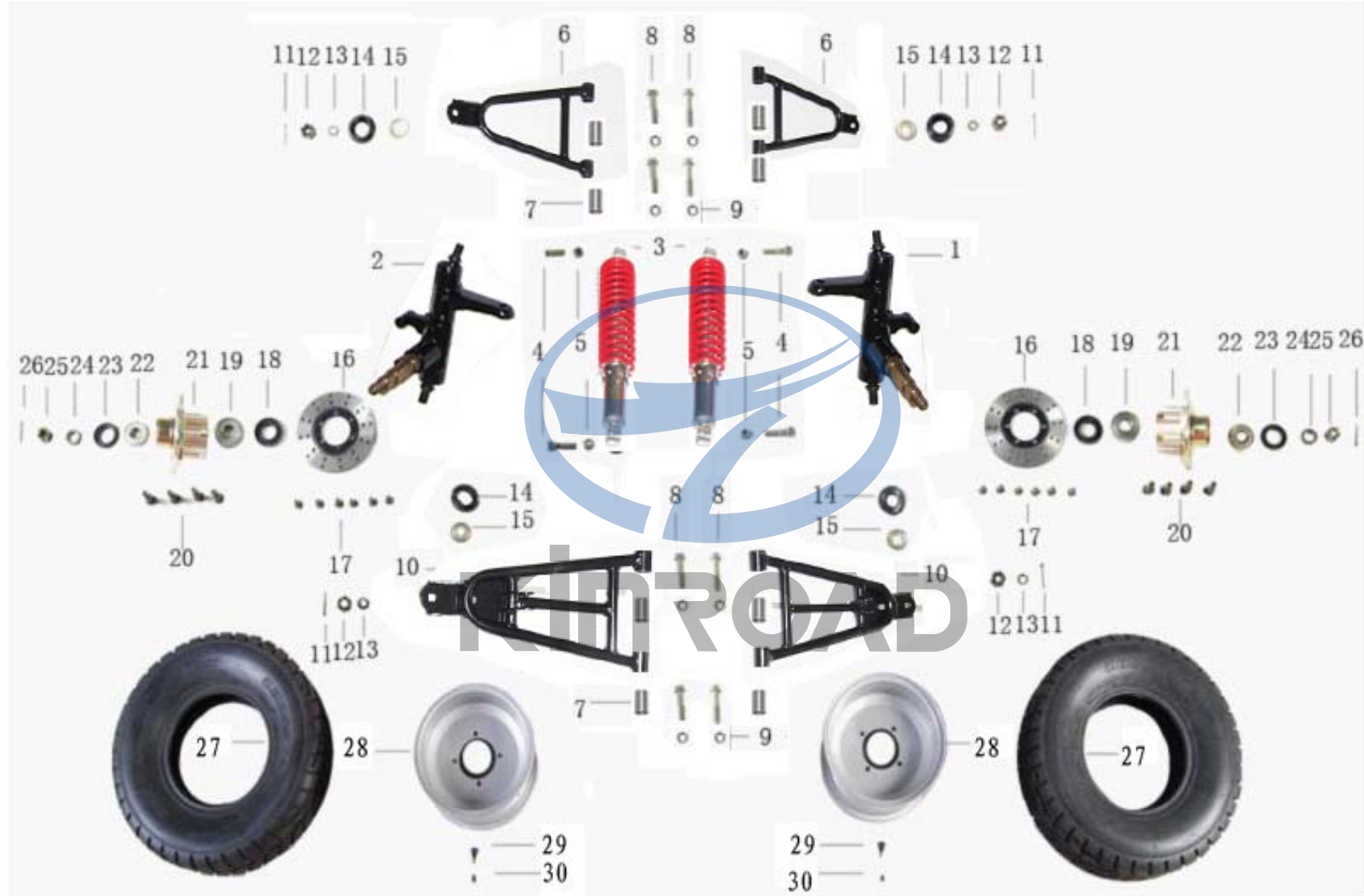
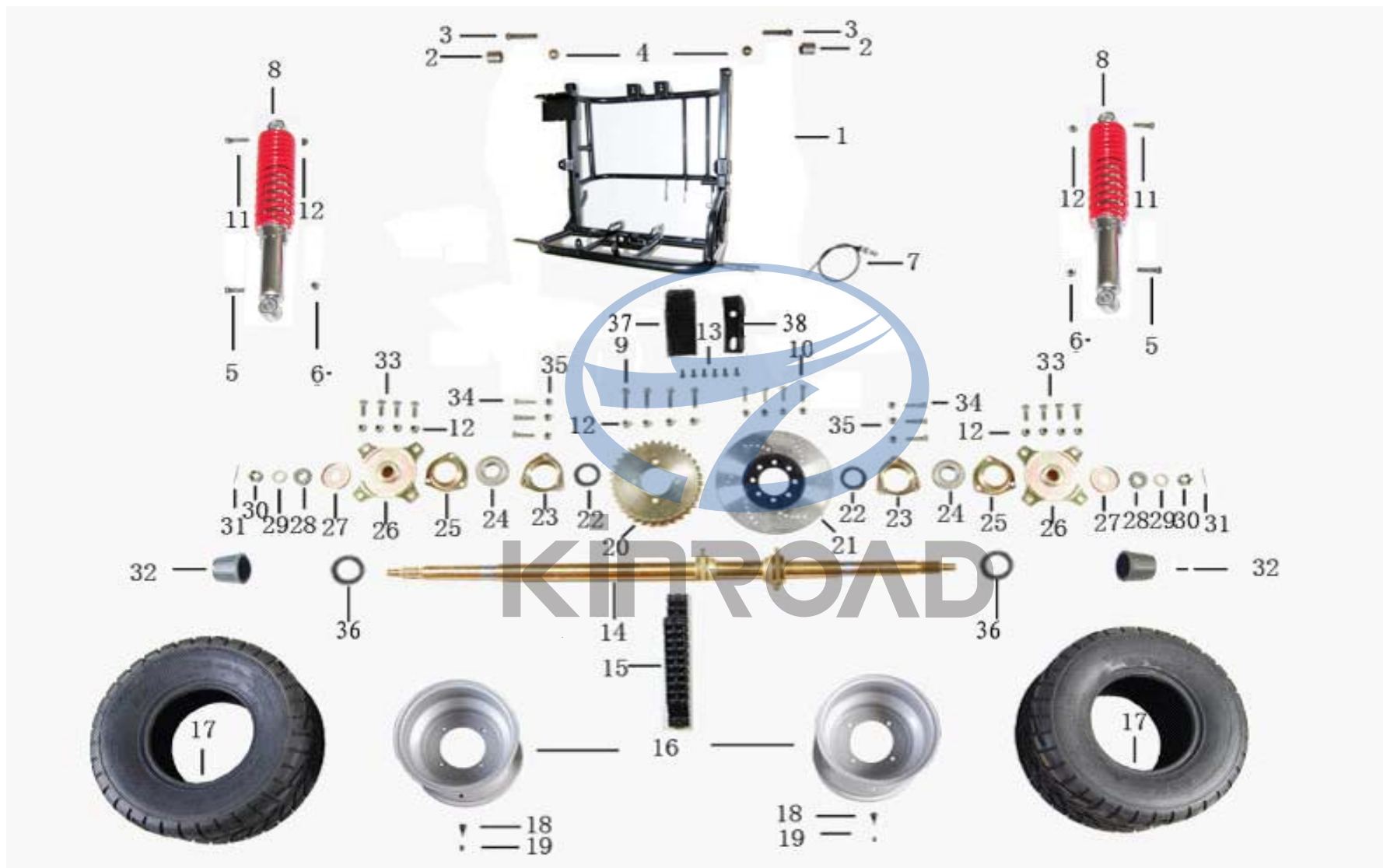


PARTS CATALOGUE  
XT250GK-9 (PGO 250)





NO.	Part NO.	Description	Description in English	数量Qty
1	KA00603001A	右支撑轴	KNUCKLE SUPPORT, RH	1
2	KA00602001A	左支撑轴	KNUCKLE SUPPORT, LH	1
3	KA00631001B	前减震器	ABSORBER ASSY. FR.	2
4	GB5787-86	六角法兰螺栓 M10×40	BOLT FLANGE M10×40×1.25	4
5	GB6187-86	六角法兰自锁螺母 M10	LOCK NUT FLANGE M10×1.25	4
6	KA10117001A-1	上悬挂臂组件	SUSPENSION ARM COMP, UPPER	2
7	KA101023000	摆臂衬套	BUSH, ARM ASSY., UPPER	8
8	51191-BCA0-0000-0C	悬挂臂安装螺栓 M10×65	BOLT M10×65	8
9	GB6187-86	六角法兰自锁螺母 M10	LOCK NUT FLANGE M10×1.25	8
10	KA10118001A	下悬挂臂总成	SUSPENSION ARM COMP, LOWER	2
11	GB/T91-86	开口销1.6×30	PIN 1.6×30	4
12	GB6178-86	六角开槽螺母M12×1.25	NUT M12×1.25	4
13	GB/T93-87	弹垫12	SPRING WASHER 12	4
14	KA003340000	转向轴防尘罩	RUBBER DUST COVER	4
15	KA001590030	隔环	SPACER, BALL HEAD	4
16	KA105310100-2	刹车碟盘	DISC, FR. BRAKE	2
17	GB5783-2000	六角头螺栓M6×12	BOLT M6×12	12
18	KA005440000	油封 47×25-7	DUST SEAL 47×25-7	2
19	KA005520000	轴承 6204	BEARING 6204	2
20	44901-BCA0-0000-0C	辐板轮安装螺栓 M10	BOLT, TIRE M10	8
21	KA005040030	前轮毂	HUB, FR. WHEEL	2
22	96100-62030	轴承 6203	BEARING 6203	2
23	91202-BCA0-0000	油封 42×27-7.3	DUST SEAL 42×27-7.3	2
24	44301-BCA0-0000-0C	前轮衬套	SPACER, FR. HUB	2
25	GB6178-86	六角开槽螺母M14×1.5	NUT M14×1.5	2
26	GB/T91-86	开口销2.5×30	PIN 2.5×30	2
27	KA205030000	真空胎21" ×7" -10"	TIRE, FR. 21" ×7" -10"	2
28	KA005010000	前辐板轮	RIM, FR.	2
29	KA005030100	气门嘴	INTAKE, TIRE	2
30	KA005030200	气门嘴帽	CAP, TIRE INTAKE	2

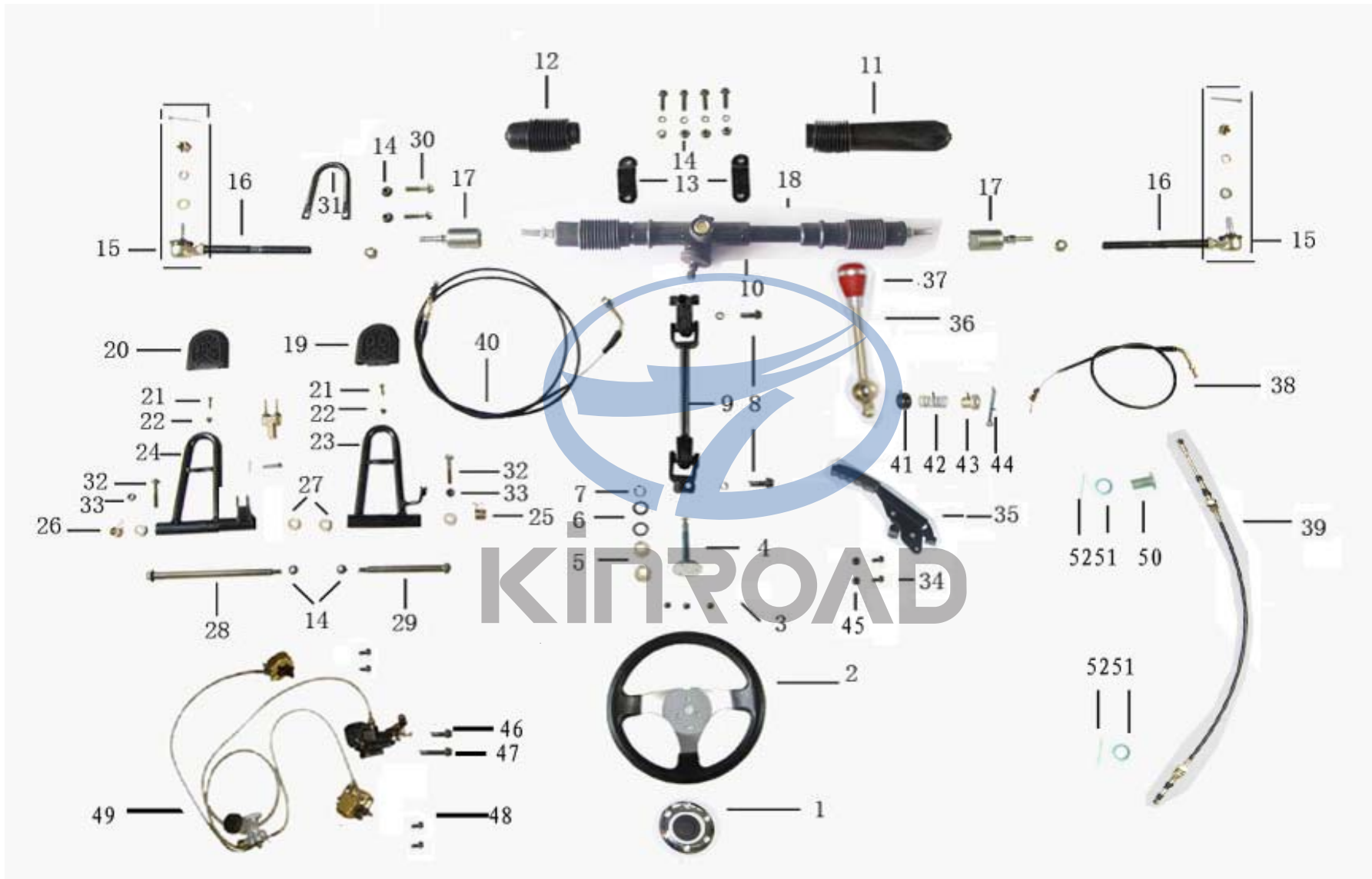


NO.	Part NO.	Description	Description in English	数量Qty
1	KA00119001A	后摇架组件	REAR SWING ARM COMP.	1
2	KA101010100	缓冲套	RUBBER BUSH, SWING ARM	2
3	GB5787-86	六角法兰螺栓 M12×60	BOLT FLANGE M12×60×1.25	2
4	GB6187-86	六角法兰自锁螺母 M12	LOCK NUT FLANGE M12 ×1.25	3
5	GB5787-86	六角法兰螺栓 M12×50	BOLT FLANGE M12×50×1.25	2
6	GB6187-86	六角法兰自锁螺母 M12	LOCK NUT FLANGE M12 ×1.25	2
7	KM004150300	速度传感器	SPEED SENSOR	1
8	KA00632001B	后减震器	ABSORBER ASSY. RR.	2
9	GB5787-86	六角法兰螺栓M10×35	BOLT FLANGE M10×35	4
10	GB5787-86	六角法兰螺栓M8×25	BOLT FLANGE M8×25	4
11	GB5787-86	六角法兰螺栓 M10×40	BOLT FLANGE M10×40	4
12	GB6187-86	六角法兰自锁螺母 M10	LOCK NUT FLANGE M10	12
13	GB5787-86	六角法兰螺栓M8×16	BOLT FLANGE M8×16	6
14	KA005060030	后轮轴	AXLE COMP. , RR.	1
15	KA005230000	链条10A	DRIVE CHAIN	2
16	KA005020000	后辐板轮10-8	RIM, REAR	2
17	KA205040000	真空胎 22×11-10	TIRE, RR. 22×11-10	2
18	KA005030200	气门嘴帽	CAP, TIRE INTAKE	2
19	KA005030100	气门嘴	INTAKE, TIRE	2
20	KA005220030	后链轮	REAR SPROCKET	1
21	KA105310200-2	后碟刹盘组件	DISC, RR. BRAKE	1
22	KA005420000	油封34×50—7	DUST SEAL 34×50—7	2
23	KA005070030	后轮轴承座	HOUSING COMP, RR. AXLE BRG	2
24	KA005530000	轴承 6206 RZ	BEARING 6206 RZ	2
25	KA001570030	后轮轴承座盖	BEARING BASE	2
26	KA005050030	后轮毂	HUB, RR. AXLE	2
27	KA001580030	后轮帽座	HOLDER, RR. WHEEL CAP	2
28	94110-17B01-0C	平垫 (ø16)	FLAT WASHER( ø16.5)	2

29	GB/T93-87	弹垫16	SPRING WASHER 16	2
30	GB6178-86	六角开槽螺母M16×1.5	NUT M16×1.5	2
31	GB/T91-86	开口销2.5×30	PIN 2.5×30	2
32	KA003350000	后轮轴盖	CAP, FR. WHEEL	2
33	GB5787-86	辐板轮安装螺栓 M10×40	BOLT, TIRE M10×40	8
34	GB5787-86	六角法兰螺栓 M8×40	BOLT FLANGE M8×40	6
35	GB6187-86	六角法兰自锁螺母 M8	LOCK NUT FLANGE M8	6
36	KA005420000	油封28×42—7	DUST SEAL 28×42—7	2
37	KA00163001A	后链轮罩	COVER REAR SPROCKET	1
38	KA00164001A	碟刹盘罩	COVER DISC, RR. BRAKE	1



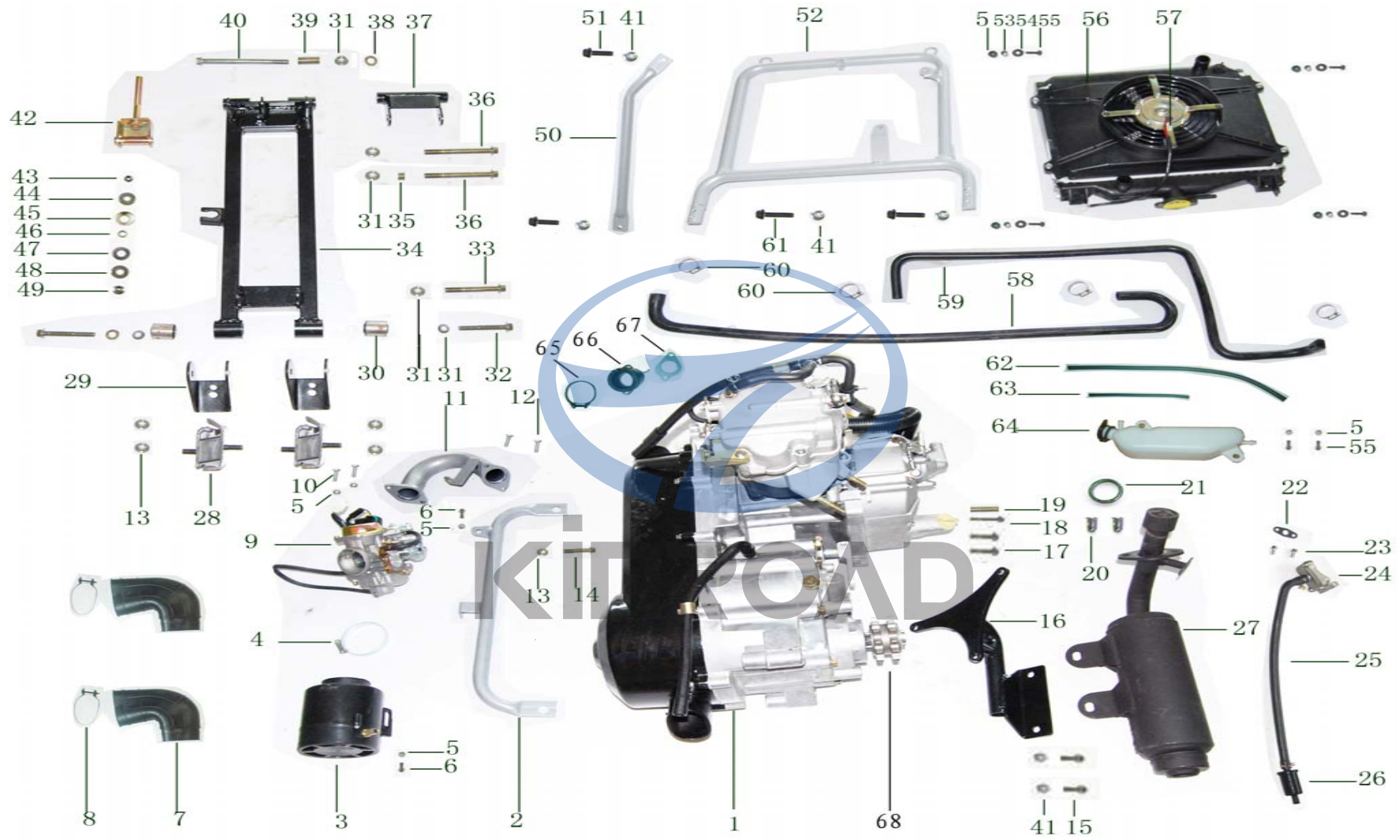




NO.	Part NO.	Description	Description in English	数量Qty
1	KA003020000	变向器螺栓盖	COVER STEERING COMP.	1
2	KA003310000	方向盘	STEERING COMP.	1
3	GB5787-86	六角法兰螺栓M6×12	BOLT, FLANGE M6×12	3
4	KA10171001A	变向轴法兰盘	STEERING SHAFT	1
5	KA101021000	方向柱尼龙衬套	BUSH. STEERING SHAFT	2
6	GB/T95-85	平垫Φ20	WASHER ø20	1
7	GB/T894-86	轴用弹性挡圈	CIRCLIP ø20	1
8	GB5787-86	六角法兰螺栓M8×25	BOLT, FLANGE M8×25	6
9	KA006010400-1	转向关节轴	SEEERING KNUCKLE	1
10	KA10601011A	变向箱	STEERING GEAR	1
11	KA006010300	防尘盖	DUST COVER. R. BALL JOINT	1
12	KA106010300	防尘盖I	DUST COVER. L BALL JOINT	1
13	KA00153001A	变向器固定板	STEERING GEAR BRACKET	2
14	GB6187-86	六角法兰自锁螺母M8	NUT FLANGE M8	8
15	KA10601111A	连接杆球头	ROD END	2
16	KA10601051A-1	左、右连接杆	TIE ROD	2
17	KA006010240	万向节	STEERING BALL JOINT	2
18	KA10601121A	限位套筒	SLEEVE	2
19	KA003320000	油门脚踏橡胶套	PUSH ROD, MASTER	1
20	KA003320000-1	刹车脚踏橡胶套	RUBBER, PAD	1
21	GB5787-86	六角法兰螺栓M5×16	BOLT, FLANGE M5×16	4
22	GB6187-86	六角法兰自锁螺母M5	NUT FLANGE M5	4
23	KA00115001A	节气门踏板组件	PEDAL COMP., THROTTLE	1
24	KA00116001A	刹车踏板组件	PEDAL COMP., BRAKE	1
25	KA001820030	节气门踏杆扭簧	SPRING, THROTTLE PEDAL	1
26	KA001810030	刹车踏杆扭簧	SPRING, BRAKE PEDAL	1
27	KA101024000	踏板减震环	COLLAR, PEDAL	4
28	53391-BCA0-0000-0C	刹车踏杆螺栓 M8×168	BOLT M8×168	1



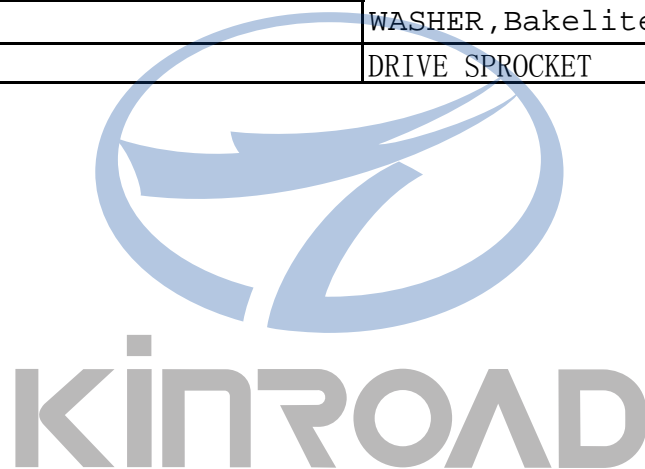
29	53393-BCA0-0000-0C	节气门螺栓 M8×145	BOLT M8×145	1
30	GB5787-86	六角法兰螺栓 M8×35	BOLT, FLANGE M8×35	2
31	KA101350000	刹车泵保护支架	BRACKET, CYLINDER ASSY,	1
32	GB5787-86	六角法兰螺栓 M8×40	BOLT, FLANGE M8×40	2
33	GB6170-86	六角螺母M8	NUTM8	2
34	GB5787-86	六角法兰螺栓 M8×16	BOLT, FLANGE M8×16	2
35	KB2S1170000	手刹制动柄	HANDLE BAR, BRAKE	1
36	KF7S1080000	倒档器手柄	HANDLE BAR, REVERSE	1
37	KF7S6050000	换挡手柄套	cap for handle bar	1
38	KB106210000-1	手刹线	CABLE COMP.PARKING BRAKE	1
39	KA106230000-1	倒档线	CABLE COMP.REMERSE	1
40	KA106220000-1	油门线	CABLE COMP.THROTTLE	1
41	KF7S5140000	换挡手柄关节轴承	bearing for handle bar	1
42	KF7S1810020	换挡手柄压簧	spring for handle bar	1
43	KF7S1810010	衬套	bush for handle bar	1
44	GB/T 91-2000	开口销2.5×25	COTTERPIIN 2.5×25	1
45	GB6187-86	六角法兰自锁螺母M8	NUT FLANGE M8	4
46	GB5787-86	六角法兰螺栓 M8×12	BOLT FLANGE M8×12	1
47	GB5787-86	六角法兰螺栓 M8×96	BOLT FLANGE M8×96	1
48	GB5787-86	六角法兰螺栓 M8×25	BOLT FLANGE M8×25	2
49	KA105310000-2	制动泵总成	FOUR-CALIPER BRAKE ASSY	1
50	GB/T882-86	B型销轴（带孔Φ4）8×35、军绿	PIN 8×35	1
51	GB/T96-87	平垫8	FLAT WASHER ø8	2
52	GB/T91-86	开口销2.5×25	PIN 2.5×25	2



NO.	Part NO.	Description	Description in English	数量Qty
1	KA002010000	发动机	ENGINE ASSY	1
2	KF7S1091000	化油器支架	BRACKET OF CARBURETOR ASSY	1
3	KA202030000	空滤器	AIR CLEANR ASSY.	1
4	KB004031000	空滤器卡箍	CIRCLIP	1
5	GB6187-86	六角法兰螺母 M6	LOCK NUT FLANGE M6	8
6	GB5787-86	六角法兰螺栓 M6×16	BOLT FLANGE M6X16	6
7	KA002050000	吸风管	BOOT, SIDE CASE	2
8	KA002050100	吸风管卡箍	CLAMP	2
9	KA002020000	化油器	CARBURETOR ASSY	1
10	GB5783-86	六角螺栓 M6×25	BOLT FLANGE M6×25	2
11	KA002021000	化油器进气管 II	Pipe Comp In, CARBURETOR	1
12	GB5783-86	六角螺栓 M6×16	BOLT FLANGE M6×16	2
13	GB6187-86	六角法兰自锁螺母 M10	LOCK NUT FLANGE M10 ×1.25	3
14	GB5787-86	六角法兰螺栓 M10×60	BOLT FLANGE M10×60	1
15	GB5787-86	六角法兰面螺栓M8×30	BOLT FLANGE M8×30	2
16	KF7S1090000	排气管安装支架	MUFFER BRACKET	1
17	GB5787-86	六角法兰面螺栓M8×30	BOLT FLANGE M8×30	2
18	GB5787-86	六角法兰面螺栓M6×50	BOLT FLANGE M6×50	2
19	KA001710030	排气管连接衬套	RACK SUPPORT, MUFFLER	1
20	90301-TCB0-0000-0C	消声器长螺母 M6×35	NUT, MUFFLER JOINT, M6×35	2
21	KA002040100	排气管密封垫	GASKET, EX. PIPE	1
22	KA202060100	二次进气控制阀垫	GASKET,AIR FEED CONTROC VALVE	1
23	GB5783-86	六角螺栓 M6×12	BOLT FLANGE M6×12	2
24	KA202060000	二次进气控制阀	AIR FEED CONTROC VALVE	1
25	KA202080000	二次进气气管 I	VENTILATE CANNULATION I	1
26	KA202070000	二次进气空气阀	AIR FEED CONTROC VALVE	1
27	KA202040000	排气消声器总成)	MUFFLER COMP., EX	1

28	KF7S3020000	发动机缓冲块	ENGINE RUBBER BUMPER	2
29	KG9S1050000	发动机连接前安装支架	ENGINE MOUNT, FRONT	2
30	17519-BCA0-0000-0C	安装衬套	COLLAR, INNER	2
31	GB6187-86	六角法兰自锁螺母 M12	LOCK NUT FLANGE M12 ×1.25	5
32	GB5787-86	六角法兰螺栓 M12×75	BOLT FLANGE M12×75	2
33	GB5787-86	六角法兰螺栓 M12×105	BOLT FLANGE M12×105	1
34	KG9S1040000	发动机安装架	ENGINE MOUNT, PEDESTAL	1
35	GB5787-86	六角法兰螺栓 M12×145	BOLT FLANGE M12×145	1
36	52121-BCA0-0000-0C	发动机衬套 I	SPACER, ENGINE MOUNT	1
37	GB6187-86	六角法兰自锁螺母 (M8×1.25)	LOCK NUT FLANGE M8×1.25	16
38	GB/T95-85	平垫 Φ12	WASHER ø12	2
39	52121-BCA0-0000-0C	发动机衬套 II	SPACER, ENGINE MOUNT	1
40	52129-BCA0-0000-0C	吊架轴 M12×180	BOLT M12×180	1
41	GB6187-86	六角法兰自锁螺母 M8	LOCK NUT FLANGE M8	1
42	KA001320030	调链器吊杆	LINK COMP, ENGINE MOUNT	1
43	90293-BCA0-0000-0C	调整螺母 M12×1.25	NUT, ENGINE MOUNT LINK M12×1.25	1
44	52155-BCA0-0000	缓冲器垫圈	WASHER, BUFFER PAD	1
45	KA001550030	缓冲器座	SPACER, ENGINE MOUNT LINK	1
46	52152-BCA0-0000-0C	隔震环	COLLAR, ENGINE MOUNT LINK	1
47	KA003390000	吊架缓冲橡胶圈	BUFFER PAD, ENGINE MOUNT LINK	1
48	52155-BCA0-0000	缓冲器垫圈	WASHER, BUFFER PAD	1
49	GB6187-86	六角法兰自锁螺母 (M12×1.25)	LOCK NUT FLANGE M12 ×1.25	1
50	KF9S1070000	散热器固定座支撑杆	FIXED LINK, RADITOR	1
51	GB5787-86	六角法兰螺栓 M8×25	BOLT FLANGE M8×25	2
52	KB001810030	散热器固定座	BUMPER	1
53	17519-BCA0-0000-0C	安装衬套	COLLAR, INNER	4
54	KA003370000	油箱橡胶圈	RUBBER RING	4
55	GB5787-86	六角法兰螺栓 M6×30	BOLT FLANGE M6×30	4
56	KB004200000	散热器(水箱)	RADIATOR	1
57	19030-SDA0-0000	风扇电机	FAN	1

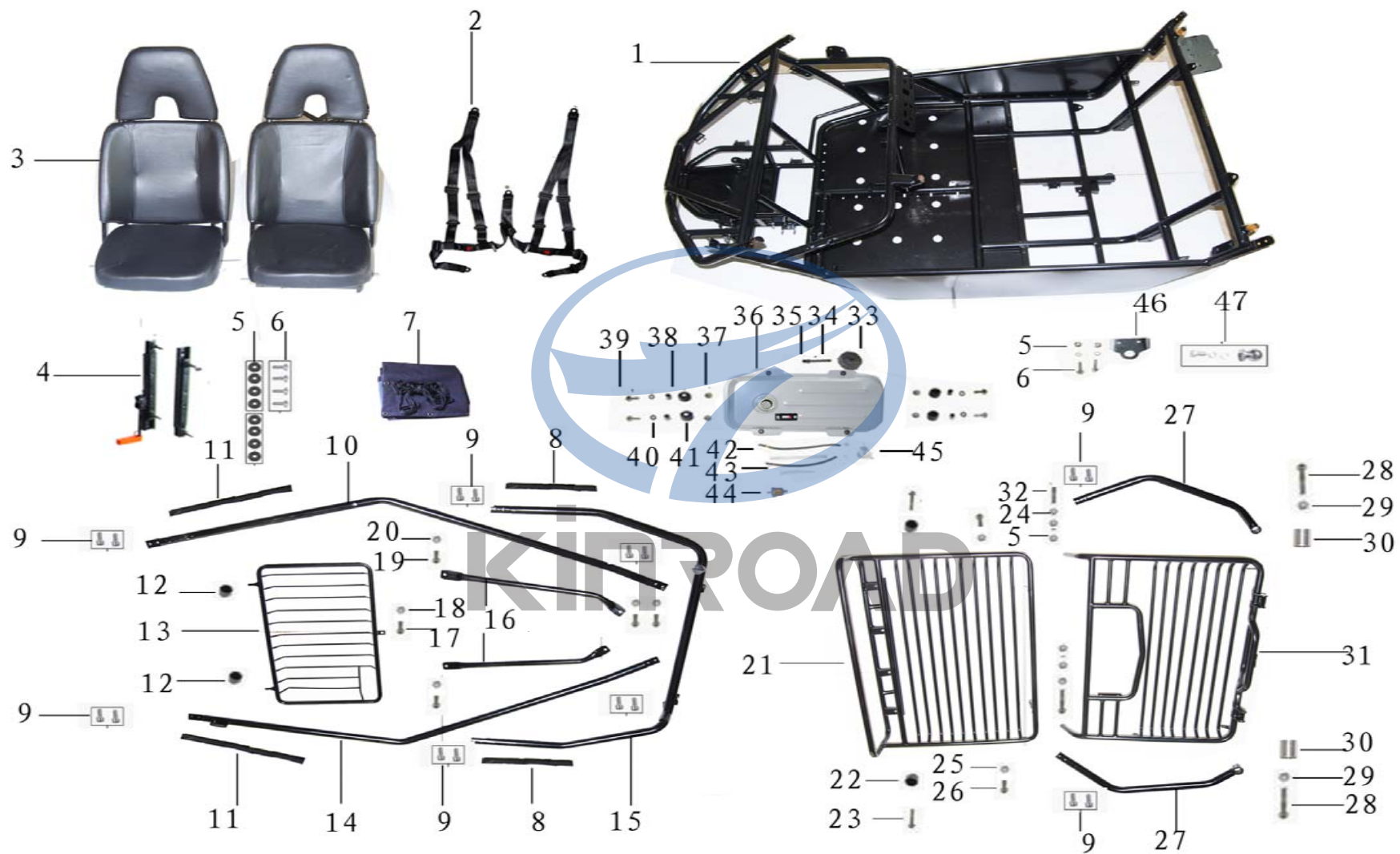
58	KF7S2030000	出水胶管	RUBBER TUBE, WATER OUT	2
59	KF7S2040000	进水胶管	RUBBER TUBE, WATER IN	2
60	KB004240000	水管夹(卡箍25)	CLIP, WATER PIPE	4
61	GB5787-86	六角法兰螺栓 M8×50	BOLT FLANGE M8×50	2
62	KB004460000	副水箱通水管	WATER TUBE OF WATER TANK, SUBSIDIARY	1
63	KF7S2040100	气管	AIE PIPE	1
64	KB004210000	副水箱	WATER TANK, SUBSIDIARY	1
65	KB004220000	卡箍	CIRCLIP	1
66	KA002020000	化油器进气管	Pipe Comp In, CARBURETOR	1
67	KA002020001	密封垫片	WASHER, Bakelite pad	1
68	KA005210030	驱动链轮	DRIVE SPROCKET	1





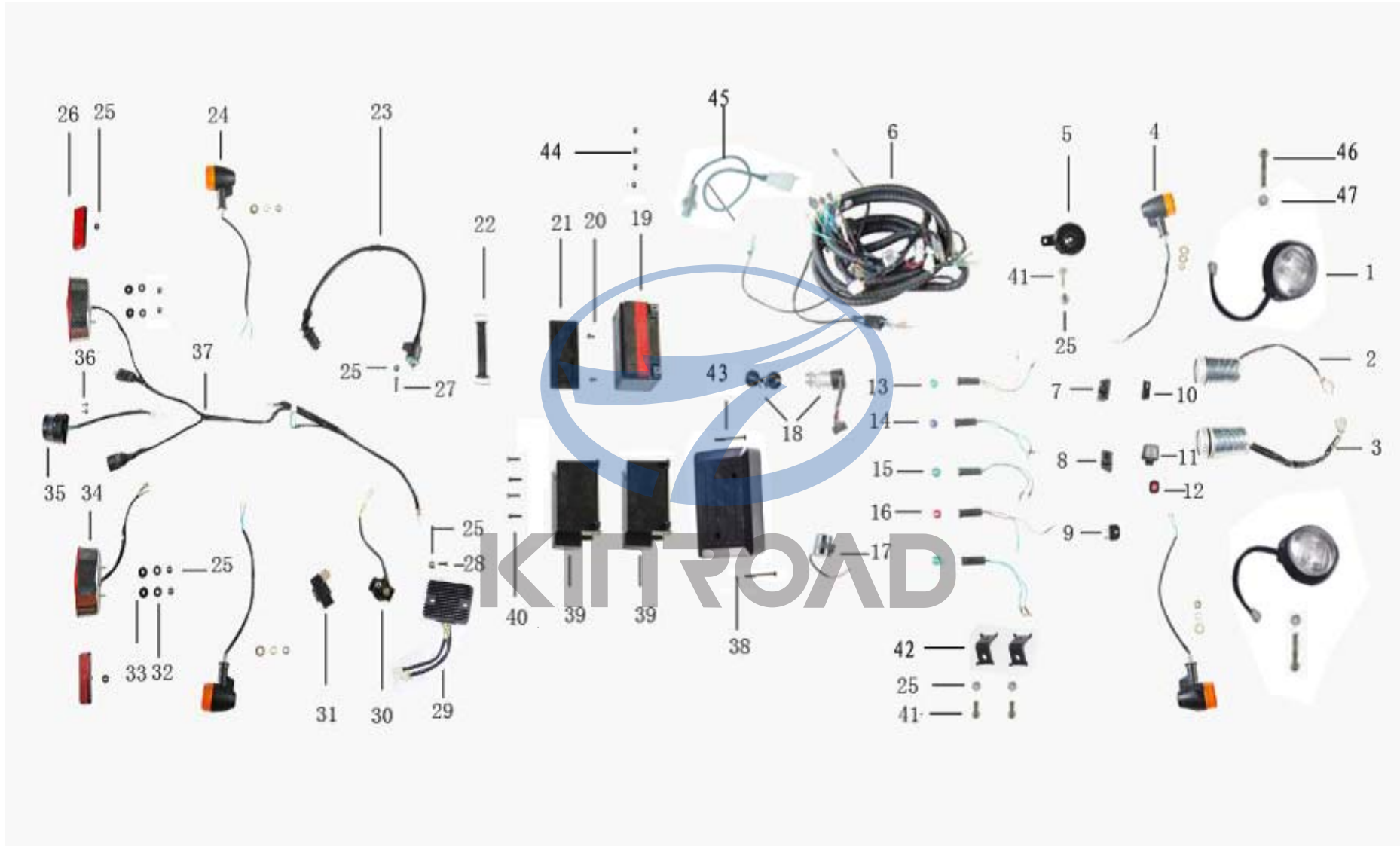


NO.	Part NO.	Description	Description in English	数量Qty
1	KA003180200	右后挡泥板	REAR FENDER, R	1
2	KH001170001	后右挡泥板支架	BRACKET, FRONT FENDER, R	1
3	KH001170002	后左挡泥板支架	BRACKET, FRONT FENDER, L	1
4	KA003180100	左后挡泥板	REAR FENDER, L	1
5	GB/T818-86	十字大盘头螺钉M6×16	BOLT M6×16	16
6	KM003440000	Φ6橡胶垫	RUBBER WASHER ( ø6)	16
7	GB6187-86	六角法兰自锁螺母M6	NUT FLANGE M6	20
8	KA003170100	左前挡泥板	FRONT FENDER, L	1
9	KA204250100	左后视镜	LEFT REARVIEW MIRROR	1
10	KA003160000	前面罩	COVER , FRONT	1
11	KA204250200	右后视镜	RIGHT REARVIEW MIRROR	1
12	GB/T70-86	内六角螺栓M6×16, 镀铬	BOLT, HEX IN M6×16	4
13	GB5787-86	六角法兰螺栓M6×16	BOLT FLANGE M6×16	4
14	KA003170200	右前挡泥板	FRONT FENDER, R	1
15	KH001160002	前左挡泥板支架	BRACKET, FRONT FENDER, L	1
16	GB6187-86	六角法兰自锁螺母M10	NUT FLANGE M10	8
17	KH001160001	前右挡泥板支架	BRACKET, FRONT FENDER, R	1
18	GB5787-86	六角法兰螺栓M10×20	BOLT FLANGE M10×20	8



NO.	Part NO.	Description	Description in English	数量Qty
1	KB201010000-2G	车架组件	FRAME COMP.	1
2	KA107080000-1	五点式保险带	BELT. SAFETY	1
3	KA107010100-1	右座垫	RIGHT SEAT ASSY	1
	KA107010200-1	左座垫	LEFT SEAT ASSY	1
4	KA20705001A	滑轨	RAIL SET. SEAT	2
5	GB6187-86	六角法兰自锁螺母 M8	LOCK NUT FLANGE M8	12
6	GB5787-86	六角法兰螺栓 M8×25	BOLT FLANGE M8×25	6
7	KH202090000	顶棚、护套	TOP AND GUARD BAR FABRIC	1
8	KC001150013	保险杆保护套	FOAM COVER 1	4
9	GB/T70-86	内六角螺栓M8×20	BOLT, HEX IN M8×20	16
10	KA201020000-1	右保险杠架	RIGHT BRUSH GUARD BAR ,MAIN	1
11	KC001150014	保险杠后保护套	FOAM COVER 2	4
12	KA201140001	橡胶缓冲圈	RUBBER RING	2
13	KA201140000	前储物架组件	CARRIER COMP. , FRONT	1
14	KA201020100-2	左保险杠架	LEFT BRUSH GUARD BAR ,MAIN	1
15	KH001050000	保险杠连接架	BRUSH GUARD BAR, CENTER	1
16	KA101140000	后储物架支架	SUPPORTER, CARRIER	2
17	GB5787-86	六角法兰螺栓 M6×25	BOLT FLANGE M6×25	1
18	GB6187-86	六角法兰自锁螺母 M6	LOCK NUT FLANGE M6	1
19	GB5787-86	六角法兰螺栓 M10×25	BOLT FLANGE M10×25	4
20	GB6187-86	六角法兰自锁螺母 M10	LOCK NUT FLANGE M10	4
21	KH001290000-1	大货架	CARRIER COMP.	1
22	KA003070000	防护杆衬套(∅ 25)	BUSH, BRUSH GUARD BAR (∅25)	6
23	GB5787-86	六角法兰螺栓 M8×50	BOLT FLANGE M8×50	2
24	50199-BCA0-0000-0C	R-垫	R-WASHER	4
25	GB6187-86	六角法兰自锁螺母 M8	LOCK NUT FLANGE M8	2
26	GB5787-86	六角法兰螺栓 M8×25	BOLT FLANGE M8×25	2
27	KH001060000	后保险杠连接杆	REAR BRUSH GUARD BAR ,	1

28	GB5787-86	六角法兰螺栓M10×65	BOLT FLANGE M10×65	2
29	GB6187-86	六角法兰自锁螺母M10	NUT FLANGE M10	2
30	KM003390000	悬挂臂缓冲套	SHEET BUSH, SWING ARM	2
31	KA201130000	后储物架组件	CARRIER COMP., REAR	1
32	GB5787-86	六角法兰螺栓 M8×45	BOLT FLANGE M8×45	2
33	KA002060100	油箱盖	CAP, COMP. FUEL TANK	1
34	KA003220000	导流管	TUBE COMP. VACUUM	1
35	KA002070000	止回阀	CHECK VALVE	1
36	KA202060000	油箱	TANK, COMP. FUEL	1
37	GB6187-86	六角法兰自锁螺母 M6	LOCK NUT FLANGE M6	4
38	17519-BCA0-0000-0C	安装衬套	COLLAR, INNER	4
39	GB5787-86	六角法兰螺栓 M6×30	BOLT FLANGE M6×30	4
40	GB/T95-87	平垫 φ6	FLAT WASHER ø6	4
41	KA003370000	油箱橡胶圈	RUBBER RING	4
42	KA001850050	保护网I	TUBE SPRING I	2
43	KA003210100	油管I	TUBE COMP. FUEL. I	2
44	KA002090000	过滤器	FILTER	1
45	KA002080000	油箱开关	COCK, FUEL ASSY.	1
46	KM001720000	拖车挂钩	BRACKET OF TOW BALL	1
47	KA00119011A-1	拖车挂钩I	TOW BALL	1



NO.	Part NO.	Description	Description in English	数量Qty
1	KA204100000-2	大灯组件	HEAD LAMP ASSY.	2
2	KA204260000	油量表	FUEL METER	1
3	KA004150000	速度表	SPEEDOMETER	1
4	KA204170100	左右前转向灯	FORWARD LEFT RIGHT TURNING LIGHT	2
5	KA204180000	喇叭	HORN	1
6	KA204120000-2A	主电缆	MAIN WIRE HARNESS	1
7	KA204170600	转向灯开关	SWITCH OF TURNING LIGHT	1
8	KA203080200-2	大灯开关	SWITCH COMP., H/L LIGHT	1
9	KA204290000	二极管	DIODE	1
10	KA203080300-2	喇叭开关	HORN BUTTON	1
11	KA203080400-2	照明开关	SWITCH COMP., HEAD LIGHT	1
12	KA203080100-2	双跳开关	INSTANCY BUTTON	1
13	KA204230000	远光指示灯	MAIN BEAM	1
14	KA204240000	位置指示灯	LIGHTING INDICATORS	1
15	KA204220000	急停指示灯	INSTANCY WARNING DEVICES	1
16	KA204210000	转向指示灯	DIRECTION INDICATORS	2
17	KA204280000	闪光器	FLASH INSTRUMENT	1
18	KA004010000	点火锁	KEY SET-IGNITION SWITCH COMP.	1
19	KA004070000	蓄电池	BATTERY	1
20	GB845-85	自攻螺钉ST3.8×12	BOLT ST3.8×12	2
21	KA003360000	蓄电池垫	CUSHION, BATTERY	1
22	KA001600030	蓄电池绑带	PRESSURE PLATE, BATTERY	1
23	KA004090000	高压包	COIL COMP. IGNITION	1
24	KA204170200	后左右转向灯	BEHIND LEFT RIGHT TURNING LIGHT	2
25	GB6187-86	六角法兰自锁螺母 M6	LOCK NUT FLANGE M6	11
26	KA204190000	后反射器	REAR REFLECTOR	2
27	GB5787-86	六角法兰螺栓 M6×20	BOLT FLANGE M6×20	1
28	GB5787-86	六角法兰螺栓 M6×16	BOLT FLANGE M6×16	2



29	KA004040000	调压整流器	RECTIFIER COMP, REGULATE	1
30	KA004050000	起动继电器	STARTING RELAY	1
31	KA004080000	C. D. I. 点火器	C. D. I. UNIT	1
32	GB/T95-87	平垫 $\phi 6$	FLAT WASHER $\phi 6$	4
33	KA001600090	橡胶圈	RUBBER RING	4
34	KA204110000	后尾灯	TAIL LAMP ASSY.	2
35	KA204200000	后牌照灯	REAR REGISTRATION PLATE LAMP	1
36	GB845-85	自攻螺钉ST3.8 $\times$ 12	BOLT ST3.8 $\times$ 12	2
37	KA204130000-2	副电缆 II	SUB-WIRING HARNESS II	1
38	KA003030000	蓄电池盖	COVER, BATTERY	1
39	KA003010000	电器盒	COVER, ELECTRIC BOX	1
40	GB845-85	自攻螺钉ST3.8 $\times$ 16	BOLT ST3.8 $\times$ 16	4
41	GB5787-86	六角法兰螺栓 M6 $\times$ 16	BOLT FLANGE M6 $\times$ 16	3
42	KA004160000	仪表支架	BRACKET OF METER	2
43	GB/T818-85	十字盘头螺钉M6 $\times$ 75	BOLT M6 $\times$ 75	2
44	KM004150301	速度传感器磁铁	MAGNET, SPEED SENSOR	4
45	KM004150300	速度传感器	SPEED SENSOR	1
46	GB5787-86	六角法兰螺栓 M8 $\times$ 45	BOLT FLANGE M8 $\times$ 45	4
47	GB6187-86	六角法兰自锁螺母 M8	LOCK NUT FLANGE M8	4