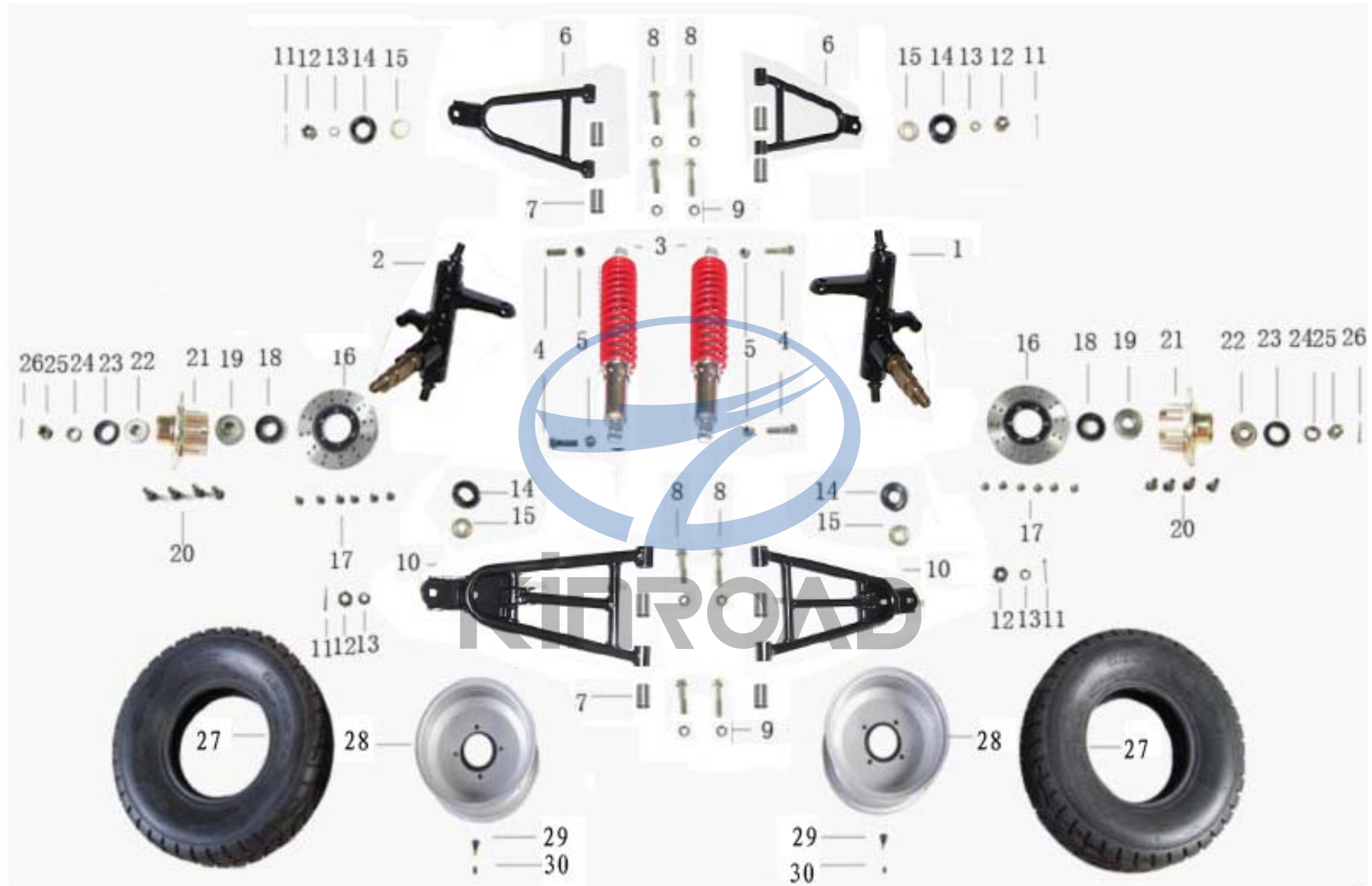


**XT150GK-9 (150 PGO)**



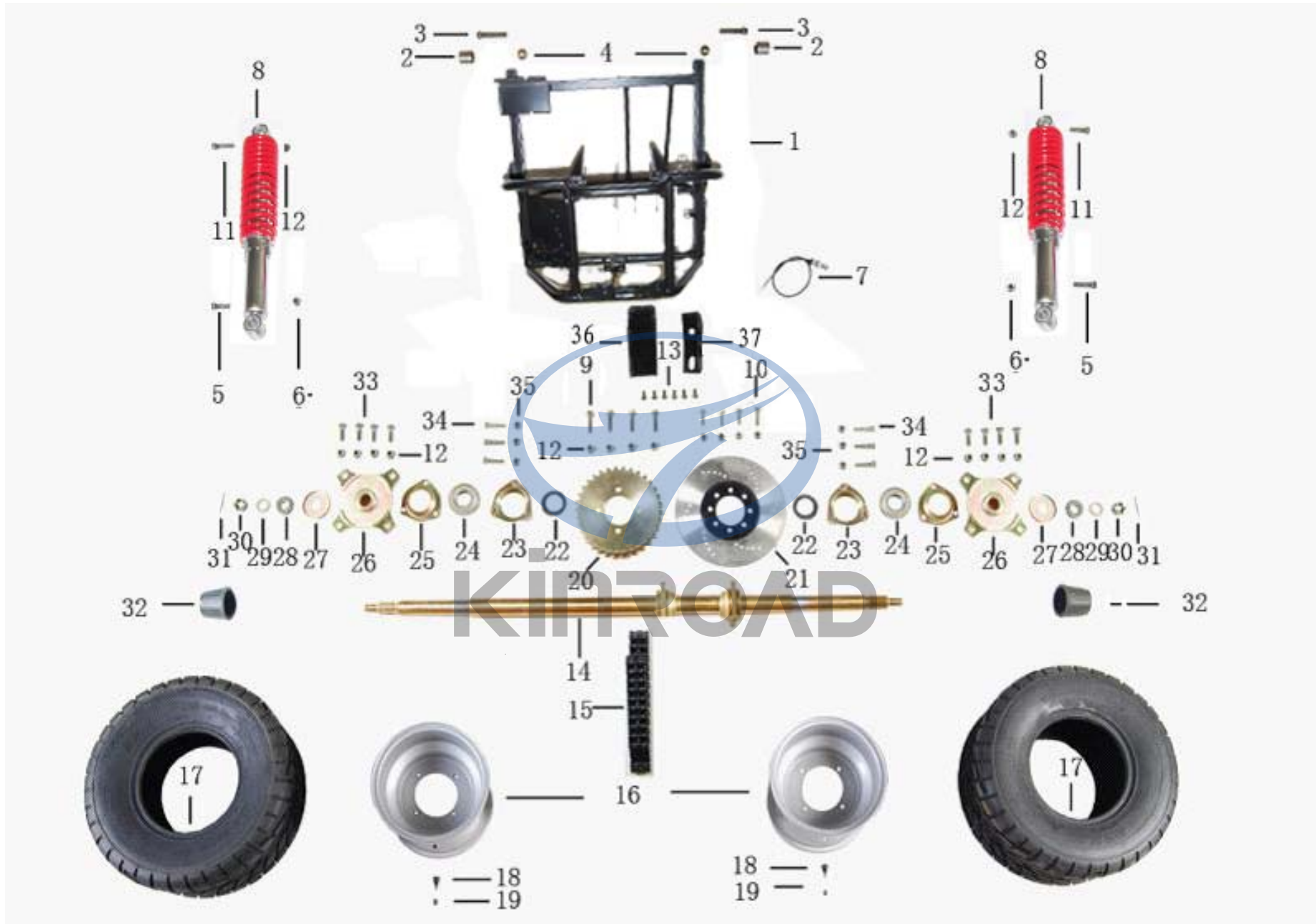
# XT150GK-9 PARTS CATALOGUE



## XT150GK-9 PARTS CATALOGUE

NO.	Part NO.	Description in English	Qty
1	KA00603001A	KNUCKLE SUPPORT, RH	1
2	KA00602001A	KNUCKLE SUPPORT, LH	1
3	KA00631001B	ABSORBER ASSY. FR.	2
4	GB5787-86	BOLT FLANGE M10×40×1.25	4
5	GB6187-86	LOCK NUT FLANGE M10×1.25	4
6	KA10117001A-1	SUSPENSION ARM COMP, UPPER	2
7	KA101023000	BUSH, ARM ASSY., UPPER	8
8	51191-BCA0-0000-0C	BOLT M10×65	8
9	GB6187-86	LOCK NUT FLANGE M10×1.25	8
10	KA10118001A	SUSPENSION ARM COMP, LOWER	2
11	GB/T91-86	PIN 1.6×30	4
12	GB6178-86	NUT M12×1.25	4
13	GB/T93-87	SPRING WASHER 12	4
14	KA003340000	RUBBER DUST COVER	4
15	KA001590030	SPACER, BALL HEAD	4
16	KA105310100-2	DISC, FR.BRAKE	2
17	GB5783-2000	BOLT M6×12	12
18	KA005440000	DUST SEAL 47×25-7	2
19	KA005520000	BEARING 6204	2
20	44901-BCA0-0000-0C	BOLT, TIRE M10	8
21	KA005040030	HUB, FR. WHEEL	2
22	96100-62030	BEARING 6203	2
23	91202-BCA0-0000	DUST SEAL 42×27-7.3	2
24	44301-BCA0-0000-0C	SPACER, FR. HUB	2
25	GB6178-86	NUT M14×1.5	2
26	GB/T91-86	PIN 2.5×30	2
27	KA205030000	TIRE, FR. 21" x7" -10"	2
28	KA005010000	RIM, FR.	2
29	KA005030100	INTAKE, TIRE	2
30	KA005030200	CAP,TIRE INTAKE	2

# XT150GK-9 PARTS CATALOGUE



## XT150GK-9 PARTS CATALOGUE

NO.	Part NO.	Description in English	Qty
1	KA00119001A	REAR SWING ARM COMP.	1
2	KA101010100	RUBBER BUSH, SWING ARM	2
3	GB5787-86	BOLT FLANGE M12x60x1.25	2
4	GB6187-86	LOCK NUT FLANGE M12 x1.25	3
5	GB5787-86	BOLT FLANGE M12x50x1.25	2
6	GB6187-86	LOCK NUT FLANGE M12 x1.25	2
7	KM004150300	SPEED SENSOR	1
8	KA00632001B	ABSORBER ASSY. RR.	2
9	GB5787-86	BOLT FLANGE M10x35	4
10	GB5787-86	BOLT FLANGE M8x25	4
11	GB5787-86	BOLT FLANGE M10x40	4
12	GB6187-86	LOCK NUT FLANGE M10	12
13	GB5787-86	BOLT FLANGE M8x16	6
14	KA005060030	AXLE COMP., RR.	1
15	KA005230000	DRIVE CHAIN	2
16	KA005020000	RIM, REAR	2
17	KA205040000	TIRE, RR.22x11-10	2
18	KA005030200	CAP,TIRE INTAKE	2
19	KA005030100	INTAKE, TIRE	2
20	KA005220030	REAR SPROCKET	1
21	KA105310200-2	DISC, RR. BRAKE	1
22	KA005420000	DUST SEAL 42x28-7.3	2
23	KA005070030	HOUSING COMP, RR.AXLE BRG	2
24	KA005530000	BEARING 6206 RZ	2
25	KA001570030	BEARING BASE	2
26	KA005050030	HUB, RR.AXLE	2
27	KA001580030	HOLDER, RR.WHEEL CAP	2
28	94110-17B01-0C	FLAT WASHER( ø16.5)	2
29	GB/T93-87	SPRING WASHER 16	2
30	GB6178-86	NUT M16x1.5	2
31	GB/T91-86	PIN 2.5x30	2
32	KA003350000	CAP, FR. WHEEL	2

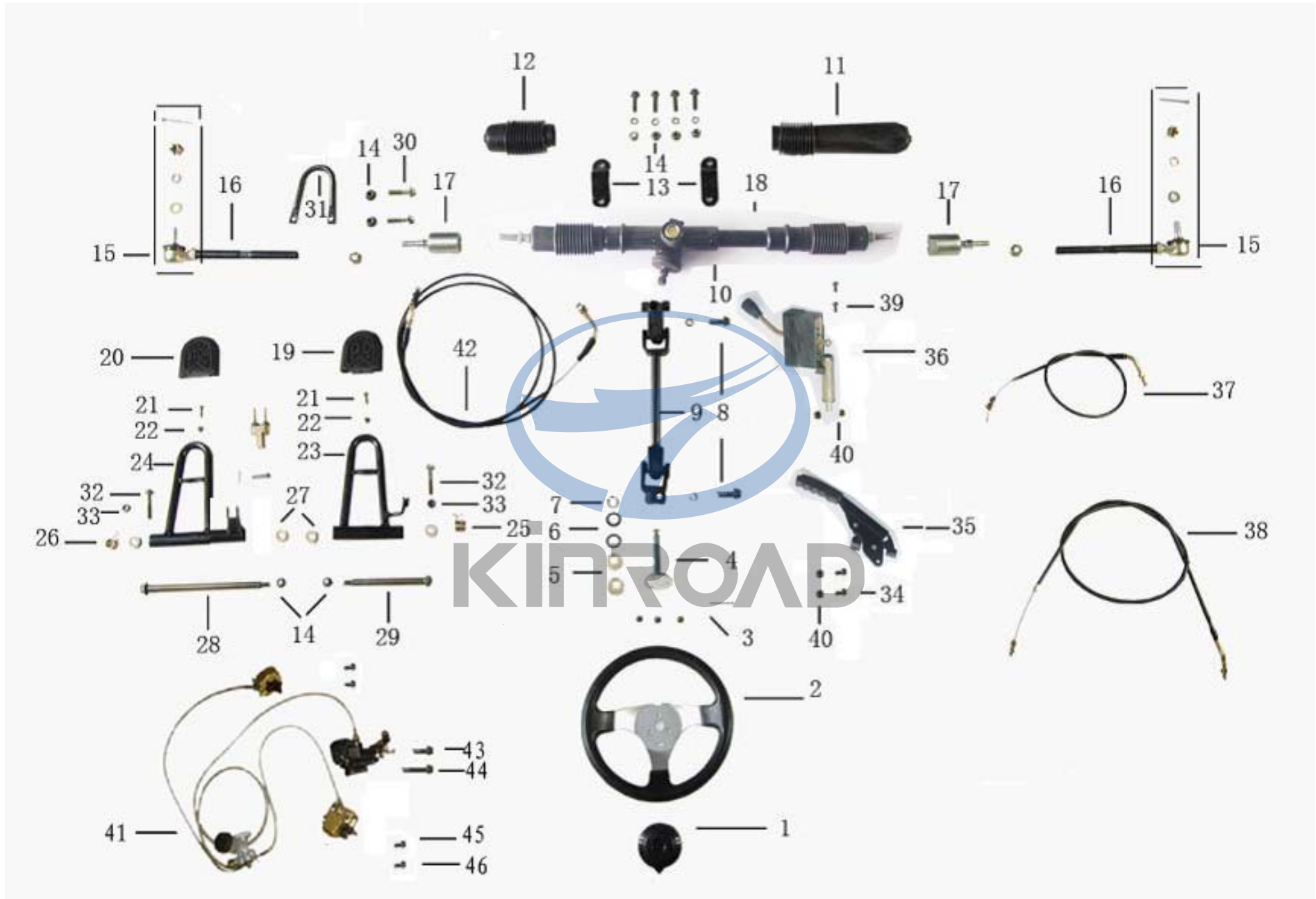
## XT150GK-9 PARTS CATALOGUE

33	GB5787-86	BOLT, TIRE M10×40	8
34	GB5787-86	BOLT FLANGE M8×40	6
35	GB6187-86	LOCK NUT FLANGE M8	6
36	KA00163001A	COVER REAR SPROCKET	1
37	KA00164001A	COVER DISC, RR. BRAKE	1





# XT150GK-9 PARTS CATALOGUE



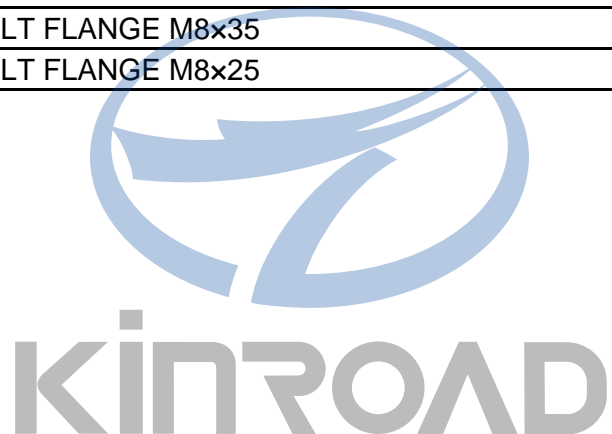
## XT150GK-9 PARTS CATALOGUE

NO.	Part NO.	Description in English	Qty
1	KA003020000	COVER STEERING COMP.	1
2	KA003310000	STEERING COMP.	1
3	GB5787-86	BOLT, FLANGE M6x12	3
4	KA10171001A	STEERING SHAFT	1
5	KA101021000	BUSH.STEERING SHAFT	2
6	GB/T95-85	WASHER $\varnothing$ 20	1
7	GB/T894-86	CIRCLIP $\varnothing$ 20	1
8	GB5787-86	BOLT, FLANGE M8x25	6
9	KA006010400-1	SEEERING KNUCKLE	1
10	KA10601011A	STEERING GEAR	1
11	KA006010300	DUST COVER. R. BALL JOINT	1
12	KA106010300	DUST COVER. L BALL JOINT	1
13	KA00153001A	STEERING GEAR BRACKET	2
14	GB6187-86	NUT FLANGE M8	8
15	KA10601111A	ROD END	2
16	KA10601051A-1	TIE ROD	2
17	KA006010240	STEERING BALL JOINT	2
18	KA10601121A	SLEEVE	2
19	KA003320000	PUSH ROD, MASTER	1
20	KA003320000-1	RUBBER, PAD	1
21	GB5787-86	BOLT, FLANGE M5x16	4
22	GB6187-86	NUT FLANGE M5	4
23	KA00115001A	PEDAL COMP., THROTTLE	1
24	KA00116001A	PEDAL COMP., BRAKE	1
25	KA001820030	SPRING, THROTTLE PEDAL	1
26	KA001810030	SPRING, BRAKE PEDAL	1
27	KA101024000	COLLAR, PEDAL	4
28	53391-BCA0-0000-0C	BOLT M8x168	1
29	53393-BCA0-0000-0C	BOLT M8x145	1
30	GB5787-86	BOLT, FLANGE M8x35	2
31	KA101350000	BRACKET, CYLINDER ASSY,	1
32	GB5787-86	BOLT, FLANGE M8x40	2

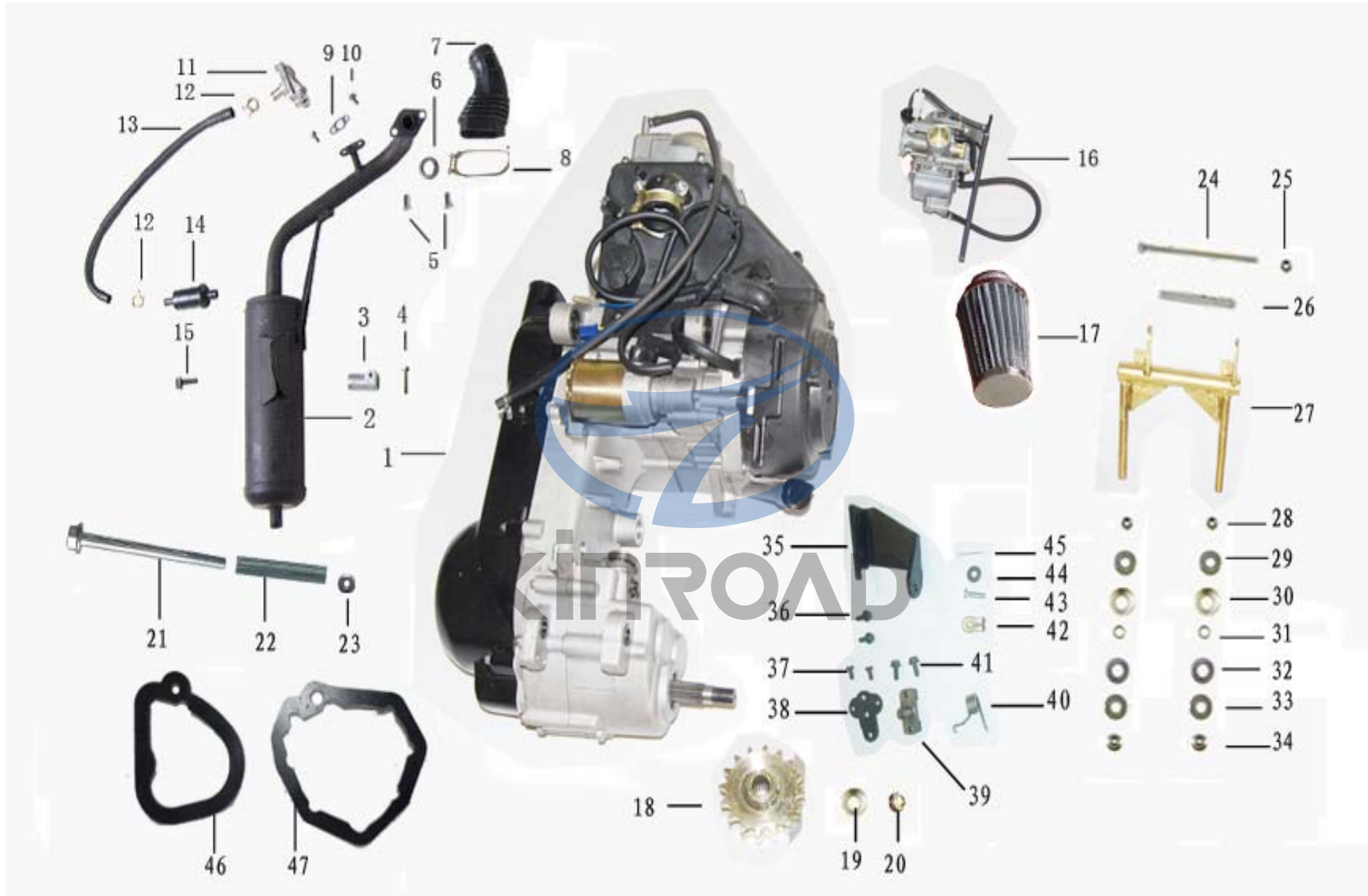


## XT150GK-9 PARTS CATALOGUE

33	GB6170-86	NUTM8	2
34	GB5787-86	BOLT, FLANGE M8x16	2
35	KB2S1170000	HANDLE BAR, BRAKE	1
36	KB001160000-1	HANDLE BAR, REVERSE	1
37	KB106210000-1	CABLE COMP.PARKING BRAKE	1
38	KA106230000-1	CABLE COMP.REMERSE	1
39	GB5787-86	BOLT, FLANGE M8x16	8
40	GB6187-86	NUT FLANGE M8	4
41	KA105310000-2	FOUR-CALIPER BRAKE ASSY	1
42	KA106220000-1	CABLE COMP.THROTTLE	1
43	GB5787-86	BOLT FLANGE M8x12	1
44	GB5787-86	BOLT FLANGE M8x96	1
45	GB5787-86	BOLT FLANGE M8x35	2
46	GB5787-86	BOLT FLANGE M8x25	2



# XT150GK-9 PARTS CATALOGUE

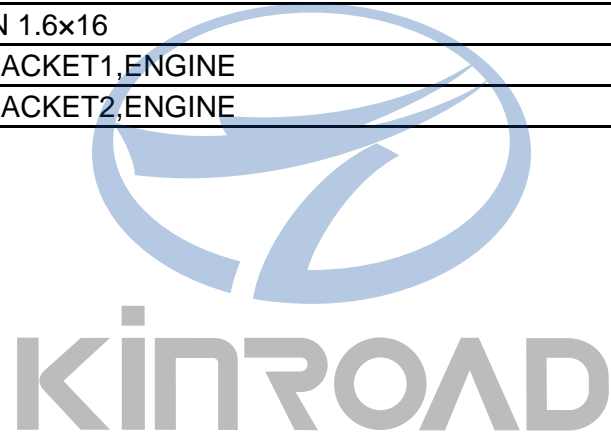


## XT150GK-9 PARTS CATALOGUE

NO.	Part NO.	Description in English	Qty
1	KA002010000-1	ENGINE ASSY	1
2	KA202040000	MUFFLER COMP.,EX	1
3	KA001710030	RACK SUPPORT,MUFFLER	1
4	GB5787-86	BOLT FLANGE M6X25	1
5	90301-TCB0-0000-0C	NUT, MUFFLER JOINT, M6x35	2
6	KA002040100	GASKET,EX.PIPE	1
7	KA002050000	BOOT,SIDE CASE	1
8	KA002050100	CLAMP	1
9	KA202060100	GASKET,AIR FEED CONTROC VALVE	1
10	GB5783-86	BOLT FLANGE M6x16	2
11	KA202060000	AIR FEED CONTROC VALVE	1
12	KA202100000	CONNECTION, EXHAUST	3
13	KA202080000	VENTILATE CANNULATION I	1
14	KA202070000	AIR FEED CONTROC VALVE	1
15	GB5787-86	BOLT FLANGE M10x1.25x25	3
16	KA002020000	CARBURETOR ASSY	1
17	KA202030000	AIR CLEANR ASSY.	1
18	KA005210030	DRIVE SPROCKET	1
19	GB/T93-87	WASHER ,SPRTNG 16	1
20	GB6187-86	LOCK NUT FLANGE (M16x1.5)	1
21	52129-BCA0-0000-0C	BOLT M10x191	1
22	52121-BCA0-0000-0C	SPACER, ENGINE MOUNT	1
23	GB6187-86	LOCK NUT FLANGE M10 x1.25	1
24	52129-BCA0-0000-0C	BOLT M10x125	1
25	GB6187-86	LOCK NUT FLANGE M10 x1.25	1
26	52121-BCA0-0000-0C	SPACER, ENGINE MOUNT	1
27	KA001320030	LINK COMP, ENGINE MOUNT	1
28	90293-BCA0-0000-0C	NUT,ENGINE MOUNT LINK M12x1.25	1
29	52155-BCA0-0000	WASHER, BUFFER PAD	1
30	KA001550030	SPACER, ENGINE MOUNT LINK	1
31	52152-BCA0-0000-0C	COLLAR, ENGINE MOUNT LINK	1
32	KA003390000	BUFFER PAD, ENGINE MOUNT LINK	1

## XT150GK-9 PARTS CATALOGUE

33	52155-BCA0-0000	WASHER, BUFFER PAD	1
34	GB6187-86	LOCK NUT FLANGE M12 x1.25	1
35	KA001650130	BRACKET,REVERSE	1
36	GB5787-86	BOLT FLANGE M6X16	2
37	GB5783-86	BOLT FLANGE M6x16	2
38	KA001650330	PLANK,REVERSE	1
39	KA001650230	BRACKET ARM,REVERSE	1
40	KA001820030	SPRING, REVERSE	1
41	GB5787-86	BOLT FLANGE M6X20	2
42	KA106220100-1	BRACKET	2
43	GB/T882-86	PIN	2
44	GB/T95-85	WASHER $\varnothing 6$	2
45	GB/T91-86	PIN 1.6x16	2
46	KA001650100	BRACKET1,ENGINE	1
47	KA001650200	BRACKET2,ENGINE	1



# XT150GK-9 PARTS CATALOGUE



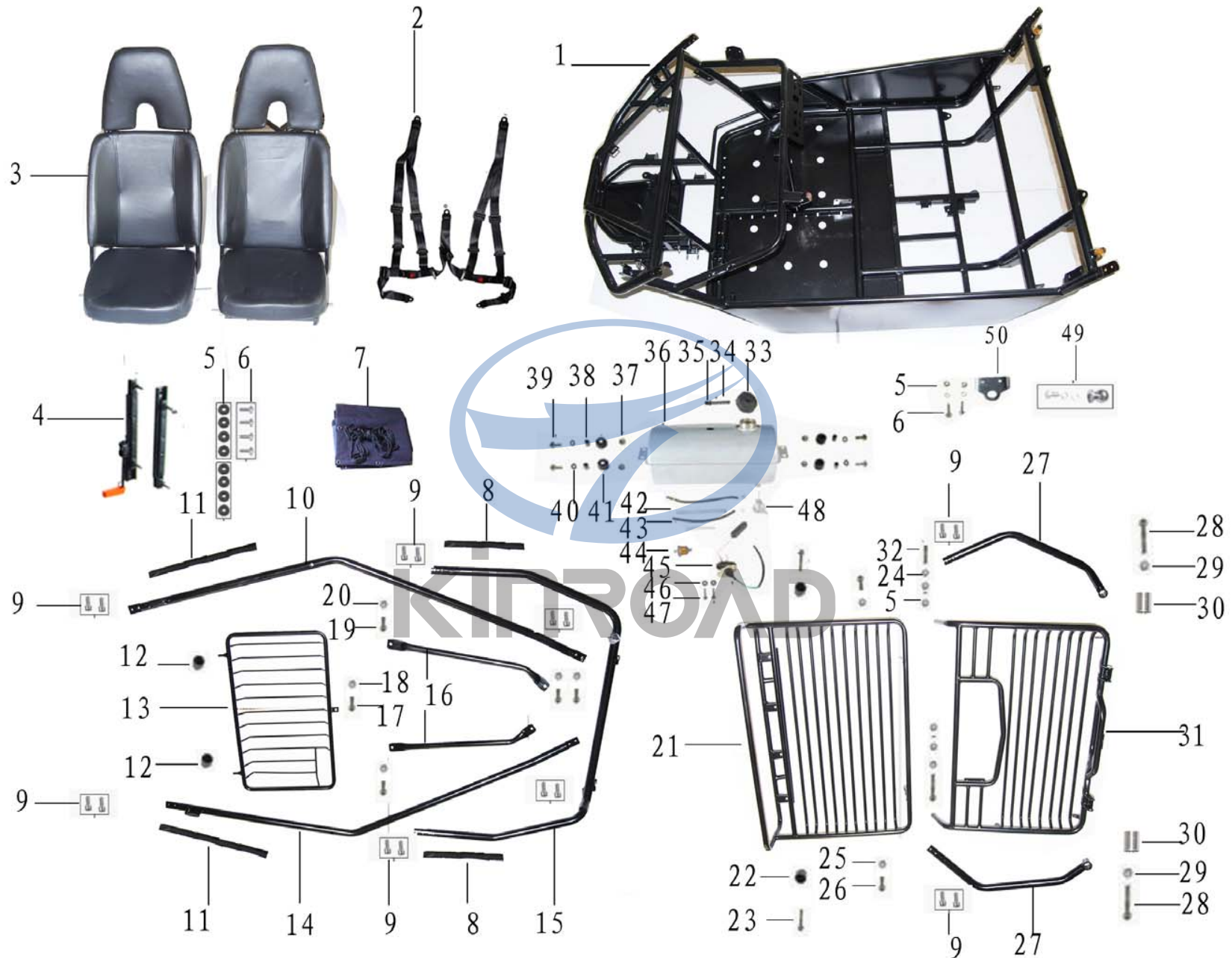
## XT150GK-9 PARTS CATALOGUE

NO.	Part NO.	Description in English	Qty
1	KA003180200	REAR FENDER, R	1
2	KH001170001	BRACKET, FRONT FENDER, R	1
3	KH001170002	BRACKET, FRONT FENDER, L	1
4	KA003180100	REAR FENDER, L	1
5	GB/T818-86	BOLT M6x16	16
6	KM003440000	RUBBER WASHER ( $\varnothing$ 6)	16
7	GB6187-86	NUT FLANGE M6	20
8	KA003170100	FRONT FENDER, L	1
9	KA204250100	LEFT REARVIEW MIRROR	1
10	KA003160000	COVER ,FRONT	1
11	KA204250200	RIGHT REARVIEW MIRROR	1
12	GB/T70-86	BOLT, HEX IN M6x16	4
13	GB5787-86	BOLT FLANGE M6x16	4
14	KA003170200	FRONT FENDER, R	1
15	KH001160002	BRACKET, FRONT FENDER, L	1
16	GB6187-86	NUT FLANGE M10	8
17	KH001160001	BRACKET, FRONT FENDER, R	1
18	GB5787-86	BOLT FLANGE M10x20	8

**KINROAD**



# XT150GK-9 PARTS CATALOGUE



## XT150GK-9 PARTS CATALOGUE

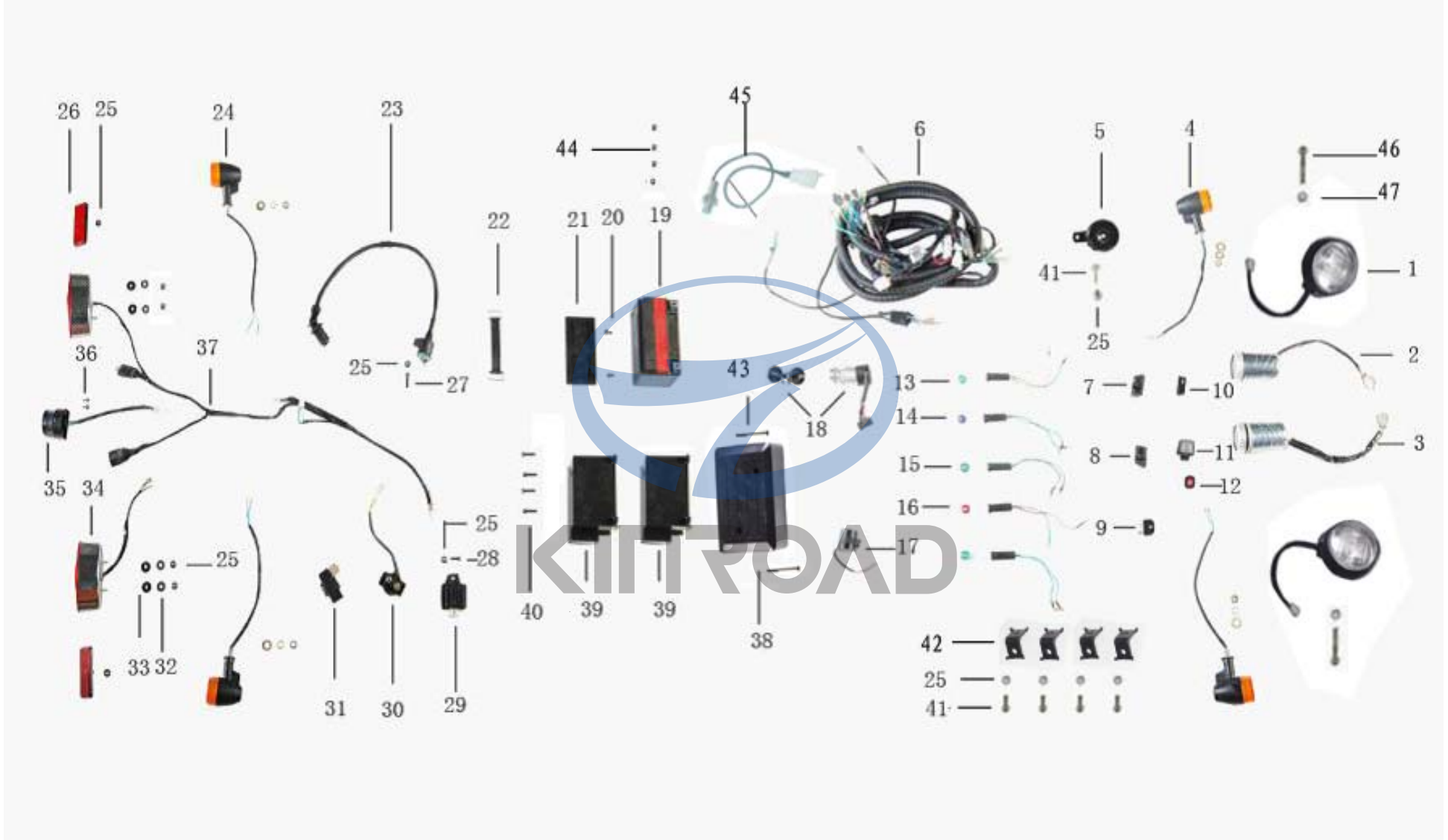
NO.	Part NO.	Description in English	Qty
1	KA201010000-2F	FRAME COMP.	1
2	KA107080000-1	BELT.SAFETY	1
3	KA107010100-1	RIGHT SEAT ASSY	1
	KA107010200-1	LEFT SEAT ASSY	1
4	KA20705001A	RAIL SET.SEAT	2
5	GB6187-86	LOCK NUT FLANGE M8	12
6	GB5787-86	BOLT FLANGE M8x25	6
7	KH202090000	TOP AND GUARD BAR FABRIC	1
8	KC001150013	FOAM COVER 1	4
9	GB/T70-86	BOLT, HEX IN M8x20	16
10	KA201020000-1	RIGHT BRUSH GUARD BAR ,MAIN	1
11	KC001150014	FOAM COVER 2	4
12	KA201140001	RUBBER RING	2
13	KA201140000	CARRIER COMP., FRONT	1
14	KA201020100-2	LEFT BRUSH GUARD BAR ,MAIN	1
15	KH001050000	BRUSH GUARD BAR, CENTER	1
16	KA101140000	SUPPORTER, CARRIER	2
17	GB5787-86	BOLT FLANGE M6x25	1
18	GB6187-86	LOCK NUT FLANGE M6	1
19	GB5787-86	BOLT FLANGE M10x25	4
20	GB6187-86	LOCK NUT FLANGE M10	4
21	KH001290000-1	CARRIER COMP.	1
22	KA003070000	BUSH, BRUSH GUARD BAR (ø25)	6
23	GB5787-86	BOLT FLANGE M8x50	2
24	50199-BCA0-0000-0C	R-WASHER	4
25	GB6187-86	LOCK NUT FLANGE M8	2
26	GB5787-86	BOLT FLANGE M8x25	2
27	KH001060000	REAR BRUSH GUARD BAR ,	1
28	GB5787-86	BOLT FLANGE M10x65	2
29	GB6187-86	NUT FLANGE M10	2
30	KM003390000	SHEET BUSH, SWING ARM	2
31	KA201130000	CARRIER COMP., REAR	1

## XT150GK-9 PARTS CATALOGUE

32	GB5787-86	BOLT FLANGE M8x45	2
33	KA002060100	CAP, COMP. FUEL TANK	1
34	KA003220000	TUBE COMP.VACUUM	1
35	KA002070000	CHECK VALVE	1
36	KA202060000	TANK, COMP. FUEL	1
37	GB6187-86	LOCK NUT FLANGE M6	4
38	17519-BCA0-0000-0C	COLLAR, INNER	4
39	GB5787-86	BOLT FLANGE M6x30	4
40	GB/T95-87	FLAT WASHER $\varnothing 6$	4
41	KA003370000	RUBBER RING	4
42	KA001850050	TUBE SPRING I	2
43	KA003210100	TUBE COMP.FUEL.I	2
44	KA002090000	FILTER	1
45	KA004180000	FUEL SENSOR	1
46	GB/T95-87	FLAT WASHER $\varnothing 6$	2
47	GB5787-86	BOLT FLANGE M6x20	2
48	KA002080000	COCK, FUEL ASSY.	1
49	KM001720000	BRACKET OF TOW BALL	1
50	KA00119011A-1	TOW BALL	1

The logo for Kinroad, featuring a stylized blue and grey emblem above the brand name 'KINROAD' in a bold, sans-serif font.

# XT150GK-9 PARTS CATALOGUE



**XT150GK-9 PARTS CATALOGUE**

NO.	Part NO.	Description in English	Qty
1	KA204100000-2	HEAD LAMP ASSY.	2
2	KA204260000	FUEL METER	1
3	KA004150000	SPEEDOMETER	1
4	KA204170100	FORWARD LEFT RIGHT TURNING LIGHT	2
5	KA204180000	HORN	1
6	KA204120000-2A	MAIN WIRE HARNESS	1
7	KA204170600	SWITCH OF TURNING LIGHT	1
8	KA203080200-2	SWITCH COMP., H/L LIGHT	1
9	KA204290000	DIODE	1
10	KA203080300-2	HORN BUTTON	1
11	KA203080400-2	SWITCH COMP., HEAD LIGHT	1
12	KA203080100-2	INSTANCY BUTTON	1
13	KA204230000	MAIN BEAM	1
14	KA204240000	LIGHTING INDICATORS	1
15	KA204220000	INSTANCY WARNING DEVICES	1
16	KA204210000	DIRECTION INDICATORS	2
17	KA204280000	FLASH INSTRUMENT	1
18	KA004010000	KEY SET-IGNITION SWITCH COMP.	1
19	KA004070000	BATTERY	1
20	GB845-85	BOLT ST3.8x12	2
21	KA003360000	CUSHION, BATTERY	1
22	KA001600030	PRESSURE PLATE, BATTERY	1
23	KA004090000	COIL COMP. IGNITION	1
24	KA204170200	BEHIND LEFT RIGHT TURNING LIGHT	2
25	GB6187-86	LOCK NUT FLANGE M6	11
26	KA204190000	REAR REFLECTOR	2
27	GB5787-86	BOLT FLANGE M6x20	1
28	GB5787-86	BOLT FLANGE M6x16	1
29	KA004040000	RECTIFIER COMP, REGULATE	1
30	KA004050000	STARTING RELAY	1
31	KA004080000	C.D.I.UNIT	1
32	GB/T95-87	FLAT WASHER ø6	4

## XT150GK-9 PARTS CATALOGUE

33	KA001600090	RUBBER RING	4
34	KA204110000	TAIL LAMP ASSY.	2
35	KA204200000	REAR REGISTRATION PLATE LAMP	1
36	GB845-85	BOLT ST3.8x12	2
37	KA204130000-2	SUB-WIRING HARNESS II	1
38	KA003030000	COVER, BATTERY	1
39	KA003010000	COVER, ELECTRIC BOX	1
40	GB845-85	BOLT ST3.8x16	4
41	GB5787-86	BOLT FLANGE M6x16	5
42	KA004160000	BRACKET OF METER	4
43	GB/T818-85	BOLT M6x75	2
44	KM004150301	MAGNET, SPEED SENSOR	4
45	KM004150300	SPEED SENSOR	1
46	GB5787-86	BOLT FLANGE M8x45	4
47	GB6187-86	LOCK NUT FLANGE M8	4