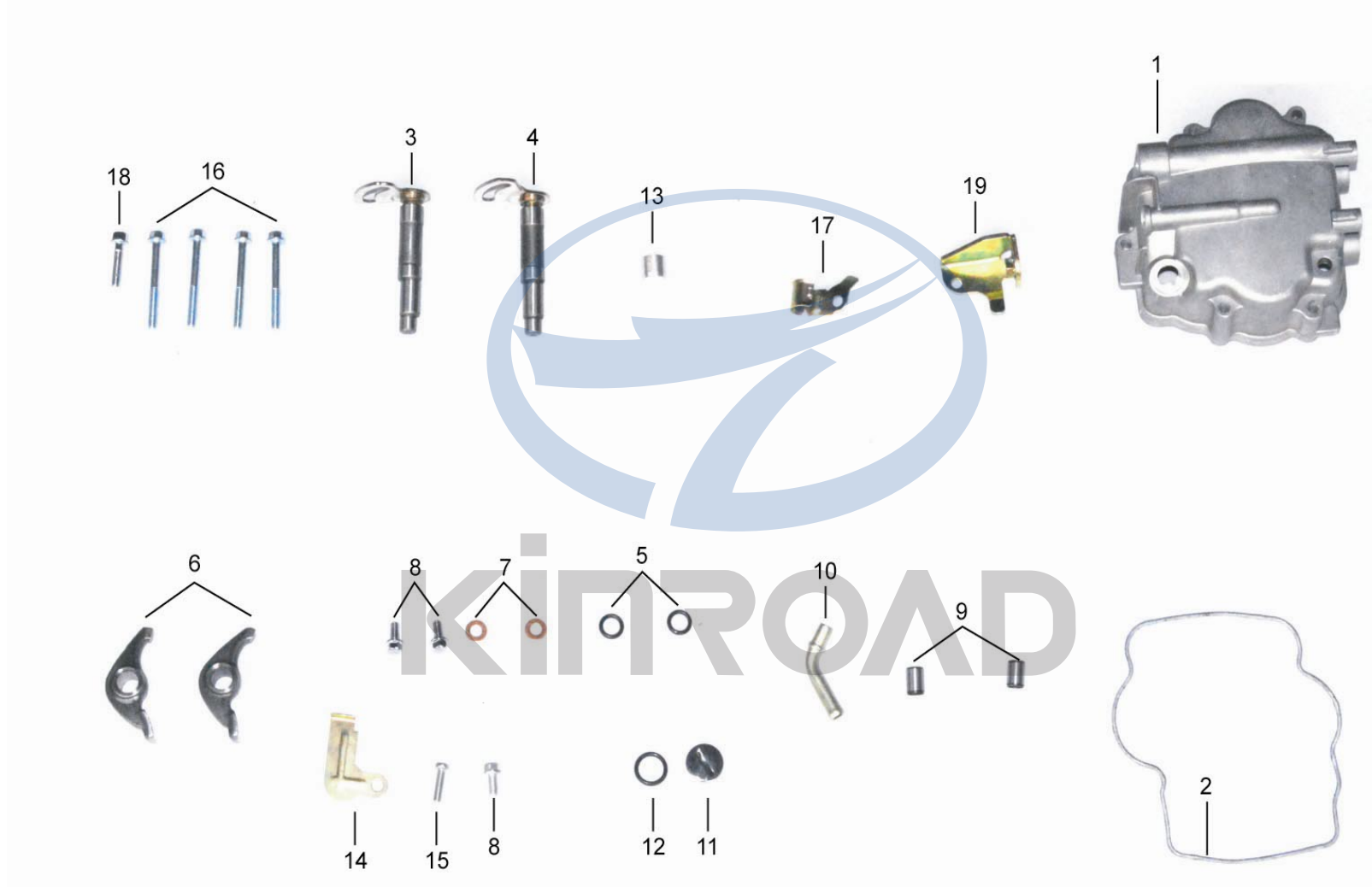


# XT250GK-ENGINE

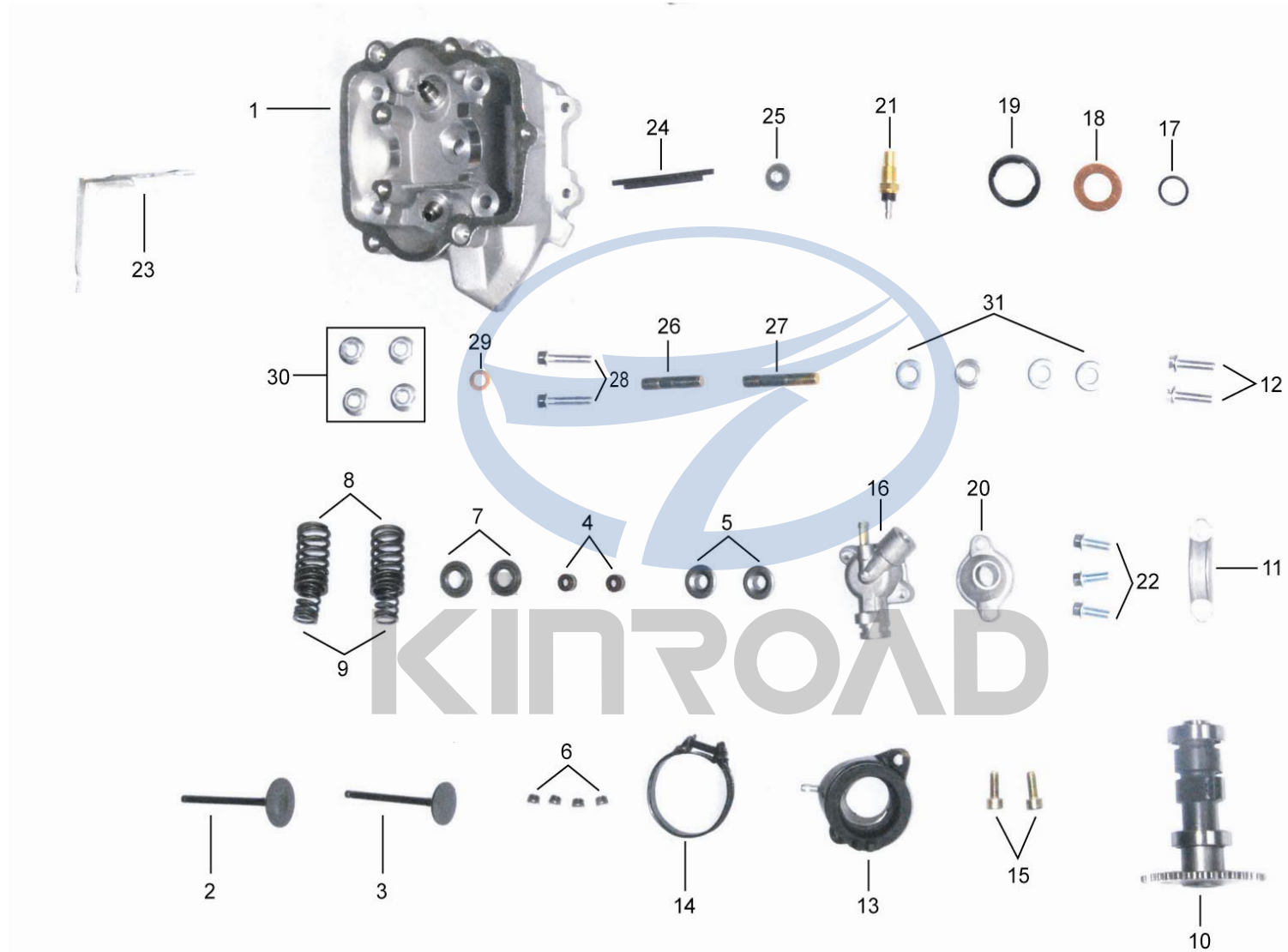


**KINROAD XINTIAN Motorcycle Manufacture CO.,LTD**

## XT250GK-ENGINE

NO.	Part No.	Description	Description in English	数量Qty	备注Mark
1	172MM-010001	缸头盖	CYLINDER COVER	1	
2	172MM-010002	缸头盖密封圈	SEAL RING, CYLINDER COVER	1	
3	172MM-010003	进气门摇臂轴IN	ROCKER SHAFT, INTAKE VALVA	1	
4	172MM-010004	排气门摇臂轴EX	ROCKER SHAFT, EXHAUST VALVA	1	
5	172MM-010005	“O”环9.4×2.4	”O” RING 9.4×2.4	2	
6	172MM-010006	摇臂	ROCKER	1	
7	172MM-010007	铜垫6.5×12.5×1.0	COPPER CUSHION 6.5×12.5×1.0	2	
8	172MM-010008	六角法兰螺丝M6×12	Hexagon flange bolt M6×12	3	
9	172MM-010009	定位销10×16	LOCATION PIN	2	
10	172MM-010010	缸头盖通气管	FULE, CYLINDER COVER	1	
11	172MM-010011	14mm调整孔盖	14mm ACCESS COVER	1	
12	172MM-010012	“O”环13.8×2.5	“O” RING 13.8×2.5	1	
13	172MM-010013	铝堵头Φ14.0×12.0	AL PLUG Φ14.0×12.0	1	
14	172MM-010014	缸头盖挡油板（通气压板）	OIL BAFFLE, CYLINDER COVER	1	
15	172MM-010015	圆头十字螺丝M5×18	Round Head Screw M5×18	1	
16	172MM-010016	六角法兰螺丝M6×50	Hexagon flange bolt M6×50	4	
17	172MM-010017	通气管支架	FULE BRACKET	1	
18	172MM-010018	六角法兰螺丝M6×22	Hexagon flange bolt M6×22	1	
19	172MM-010019	空滤器支架	BRACKET Air filter	1	

# XT250GK-ENGINE

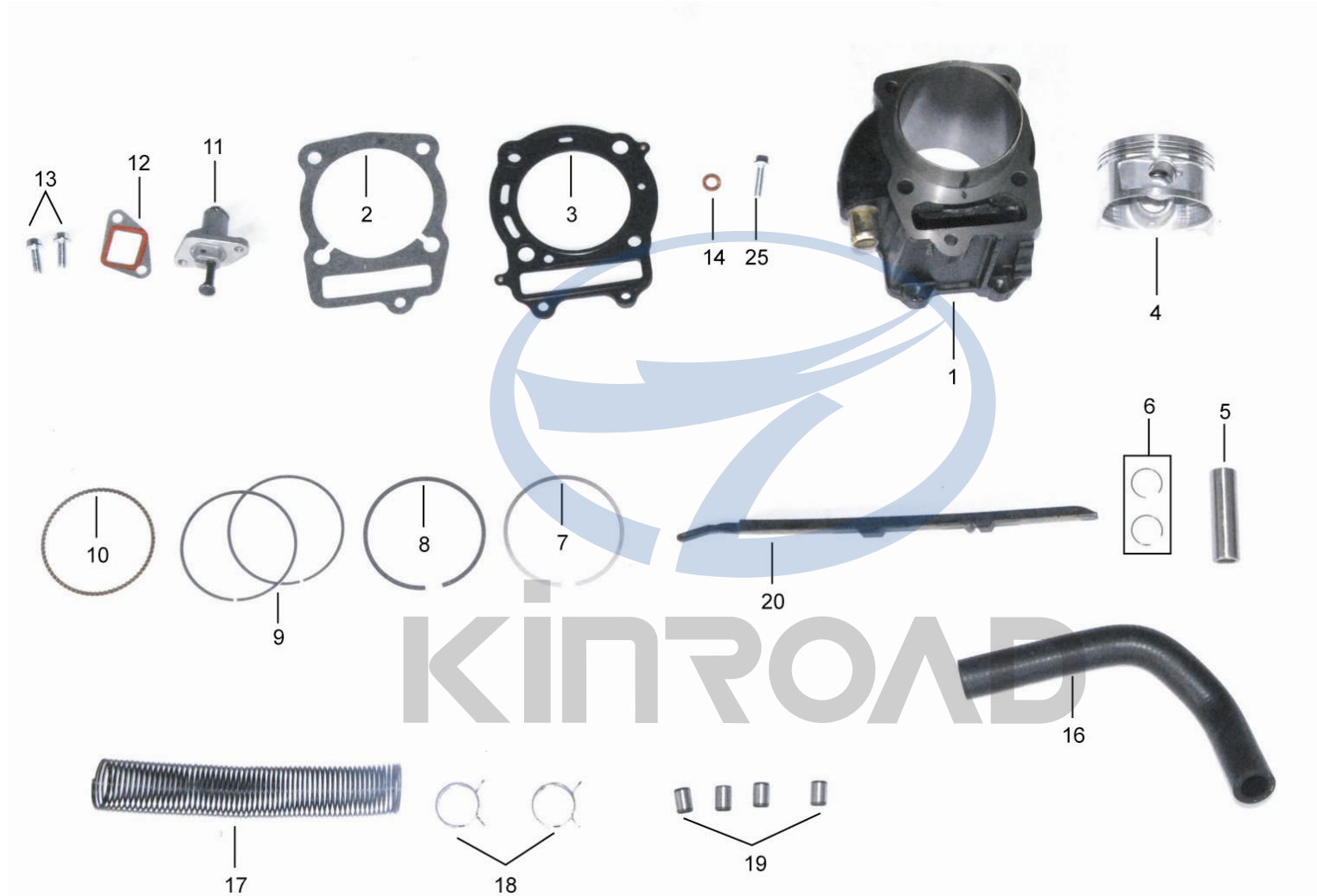


KINROAD XINTIAN Motorcycle Manufacture CO.,LTD

## XT250GK-ENGINE

NO.	Part No.	Description	Description in English	数量Qty	备注Mark
1	172MM-020001	气缸头	CYLNDER HEAD	1	
2	172MM-020002	进气门	INTAKE VALVA	1	
3	172MM-020003	排气门	EXHAUST VALVA	1	
4	172MM-020004	气门油封	OIL SEAL VALVA	2	
5	172MM-020005	承盘	OIL PAN	2	
6	172MM-020006	锁扣	twistlock	4	
7	172MM-020007	气门弹簧下座	VALVA SPRING BASIC	2	
8	172MM-020008	气门外弹簧	OUT SPRING VALVA	2	
9	172MM-020009	气门内弹簧	IN SPRING VALVA	2	
10	172MM-020010	凸轮轴	camshaft	1	
11	172MM-020011	凸轮轴固定座	BASIC CAMSHAFT	1	
12	172MM-020012	六角法兰平头螺丝M6×22	Hexagon flange bolt M6×22	2	
13	172MM-020013	进气管	INTAKE PIPE	1	
14	172MM-020014	进气管卡箍	CLAMP INTAKE PIPE	1	
15	172MM-020015	内六角螺丝M6×16	Hexagon flange bolt M6×16	2	
16	172MM-020016	恒温器室	thermostatic chamber	1	
17	172MM-020017	恒温器室“0”环14.8×1.9	O RING 14.8×1.9 thermostatic chamber	1	
18	172MM-020018	铜垫17.2×30×1.0	COPPER CUSHION 17.2×30×1.0	1	
19	172MM-020019	“0”环26.5×4.7	O RING 6.5×4.7	1	
20	172MM-020020	恒温器盖	thermostatic chamber COVER	1	
21	172MM-020021	温度传感器	thermostatic senor	1	
22	172MM-020022	六角法兰螺丝M6×16	Hexagon flange bolt M6×22	3	
23	172MM-020023	油管支架	bracket oil pipe	1	
24	172MM-020024	减震条	Article shock pad	1	
25	172MM-020025	内六角水堵M12×1.0×10	hexagon socket plugM12×1.0×10	1	
26	172MM-020026	双头螺丝M8×40	DOUBLE HEAD BOLTS M8×40	1	
27	172MM-020027	双头螺丝M8×50	DOUBLE HEAD BOLTS M8×50	1	
28	172MM-020028	六角法兰螺丝M6×22	Hexagon flange bolt M6×22	2	
29	172MM-020029	铜垫6.5×12.5×1.0	COPPER CUSHION 6.5×12.5×1.0	1	
30	172MM-020030	六角带垫螺母M8	Hexagon flange bolt with coushin M8	4	
31	172MM-020031	垫片8.5×18×2.0	pin c8.5×18×2.0	4	

# XT250GK-ENGINE

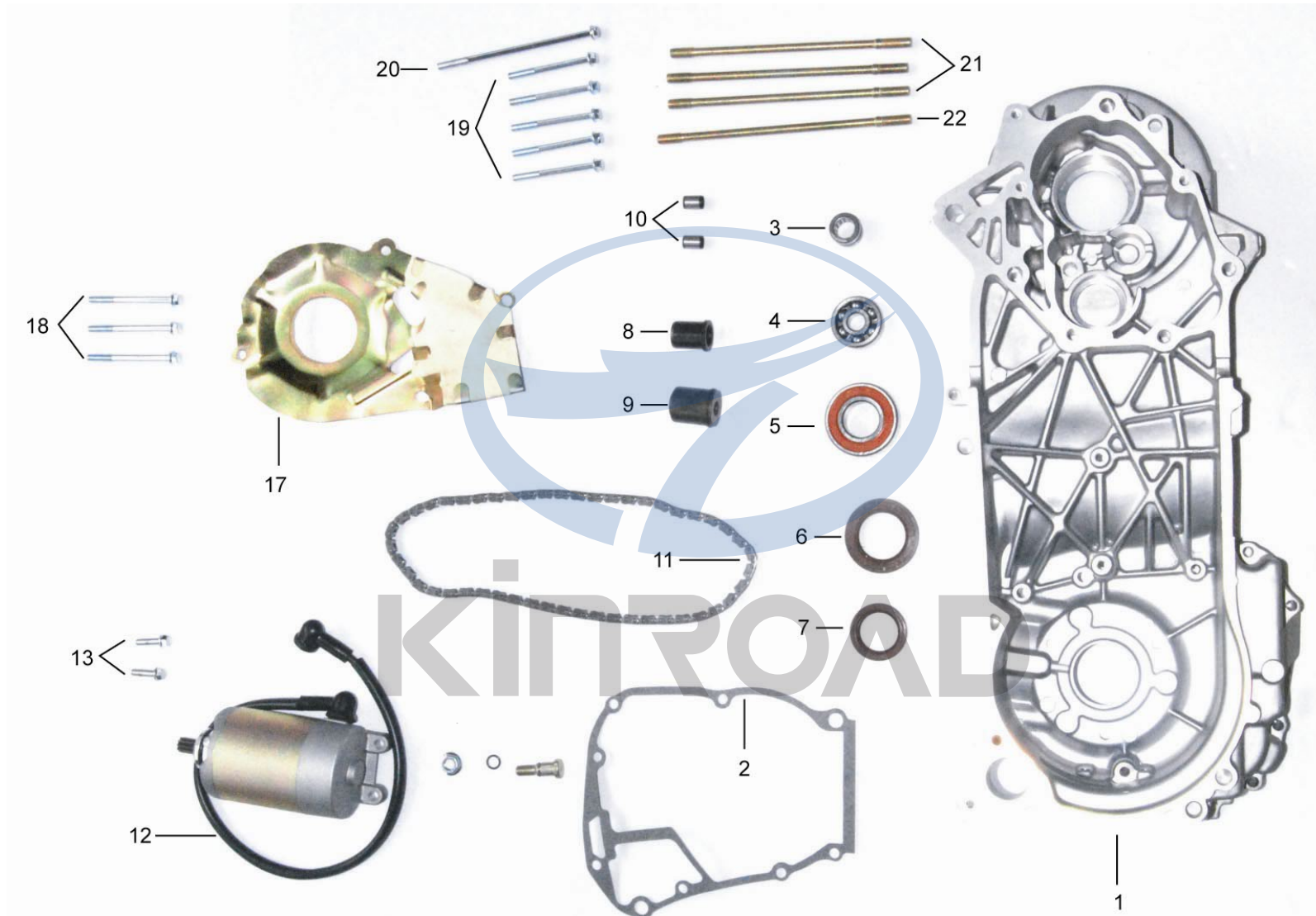


**KINROAD XINTIAN Motorcycle Manufacture CO.,LTD**

## XT250GK-ENGINE

NO.	Part No.	Description	Description in English	数量Qty	备注Mark
1	172MM-030001	气缸体	cylinder	1	
2	172MM-030002	气缸体垫片	cylinder cushion	1	
3	172MM-030003	气缸头垫片	cylinder head cushion	1	
4	172MM-030004	活塞	piston	1	
5	172MM-030005	活塞销	piston pin	1	
6	172MM-030006	卡簧	snap spring	2	
7	172MM-030007	一道环	first ring	1	
8	172MM-030008	二道环	second ring	1	
9	172MM-030009	刮片环	scraper ring	2	
10	172MM-030010	油环	oil ring	1	
11	172MM-030011	涨紧器	tightener	1	
12	172MM-030012	涨紧器垫片	tightener cushion	1	
13	172MM-030013	六角法兰螺丝M6×18	Hexagon flange bolt M6×18	2	
14	172MM-030014	铜垫6.5×12.5×1.0	copper cushion 6.5×12.5×1.0	1	
15	172MM-030015	六角法兰螺丝M6×20	Hexagon flange bolt M6×20	1	
16	172MM-030016	进水胶管	inlet pipe	1	
17	172MM-030017	护管弹簧	conduit spring	1	
18	172MM-030018	卡箍φ24	clamp φ24	2	
19	172MM-030019	定位销10×14	location pin10×14	4	
20	172MM-030020	导向杆	reaction member	1	

# XT250GK-ENGINE



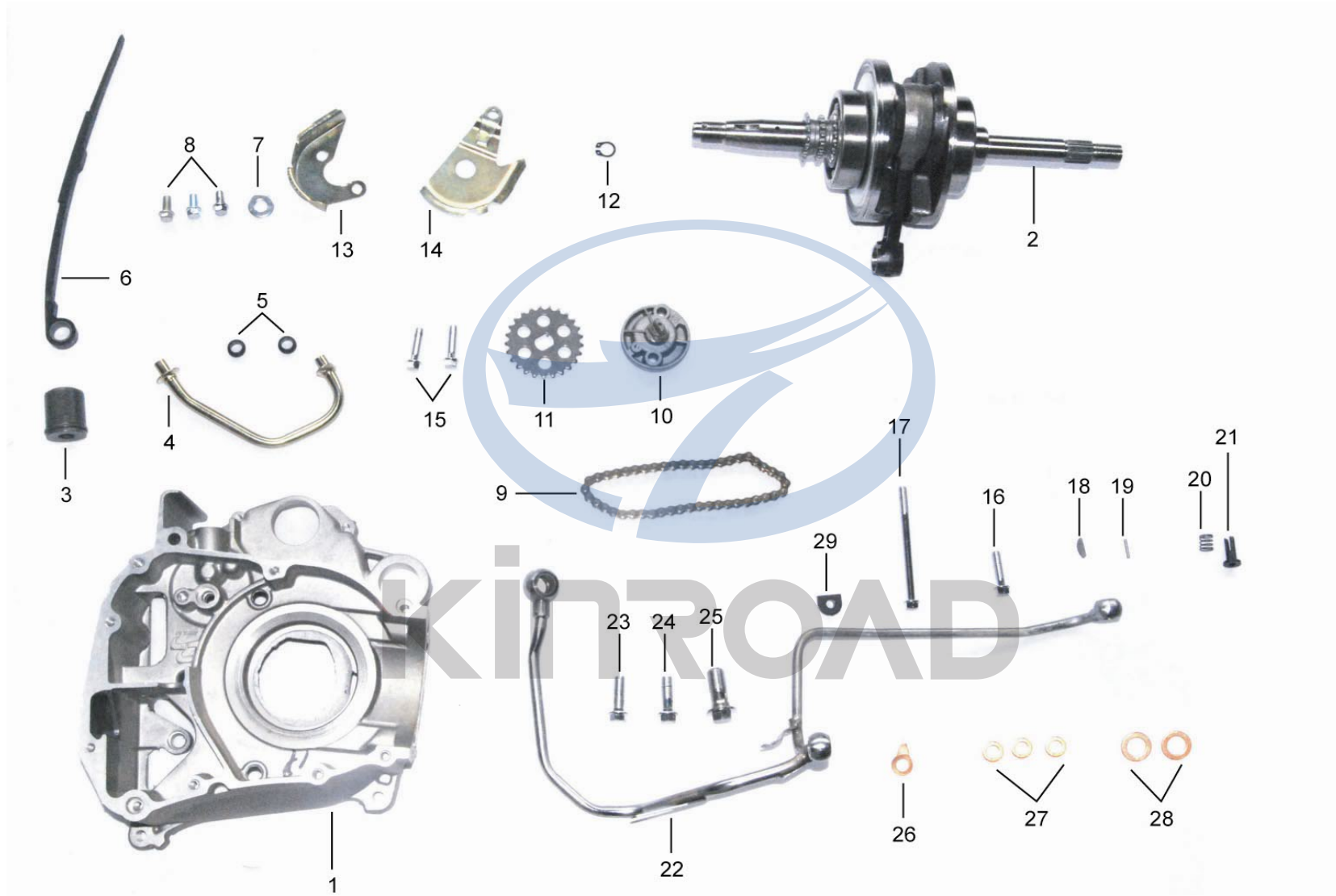
**KINROAD XINTIAN Motorcycle Manufacture CO.,LTD**

## XT250GK-ENGINE

NO.	Part No.	Description	Description in English	数量Qty	备注Mark
1	172MM-040001	左曲轴箱体	left crankcase	1	
2	172MM-040002	箱体垫片	case cushion	1	
3	172MM-040003	滚针轴承NK14/16	needle roller shaft NK14/16	1	
4	172MM-040004	轴承6301	shaft 6301	1	
5	172MM-040005	轴承6205Lu	shaft 6205Lu	1	
6	172MM-040006	油封34×52×5	oil seal34×52×5	1	
7	172MM-040007	油封28×40×8	oil seal28×40×8	1	
8	172MM-040008	后减震套	rear shock absorber bush	1	
9	172MM-040009	前减震套	front shock absorber bush	1	
10	172MM-040010	定位销10×14	location pin10×14	2	
11	172MM-040011	正时链条	timing chain	1	
12	172MM-040012	起动机	starting motor	1	
13	172MM-040013	六角法兰螺丝M6×22	Hexagon flange bolt M6×20	2	
14	172MM-040014	刹车固定销	brake location pin	1	
15	172MM-040015	“O”环7.5×1.5	o ring 7.5×1.5	1	
16	172MM-040016	六角带垫螺母M8	Hexagon flange bolt with cushion M8	1	
17	172MM-040017	绝缘顶板(含海棉)	insulated plate(with sponges)	1	
18	172MM-040018	六角法兰螺丝M6×70	Hexagon flange bolt M6×70	3	
19	172MM-040019	六角法兰螺丝M6×60	Hexagon flange bolt M6×60	5	
20	172MM-040020	六角法兰螺丝M6×125	Hexagon flange bolt M6×125	1	
21	172MM-040021	双头螺丝M8×177	DOUBLE HEAD BOLTS M8×177	3	
22	172MM-040022	双头螺丝M8×185	DOUBLE HEAD BOLTS M8×185	1	



# XT250GK-ENGINE

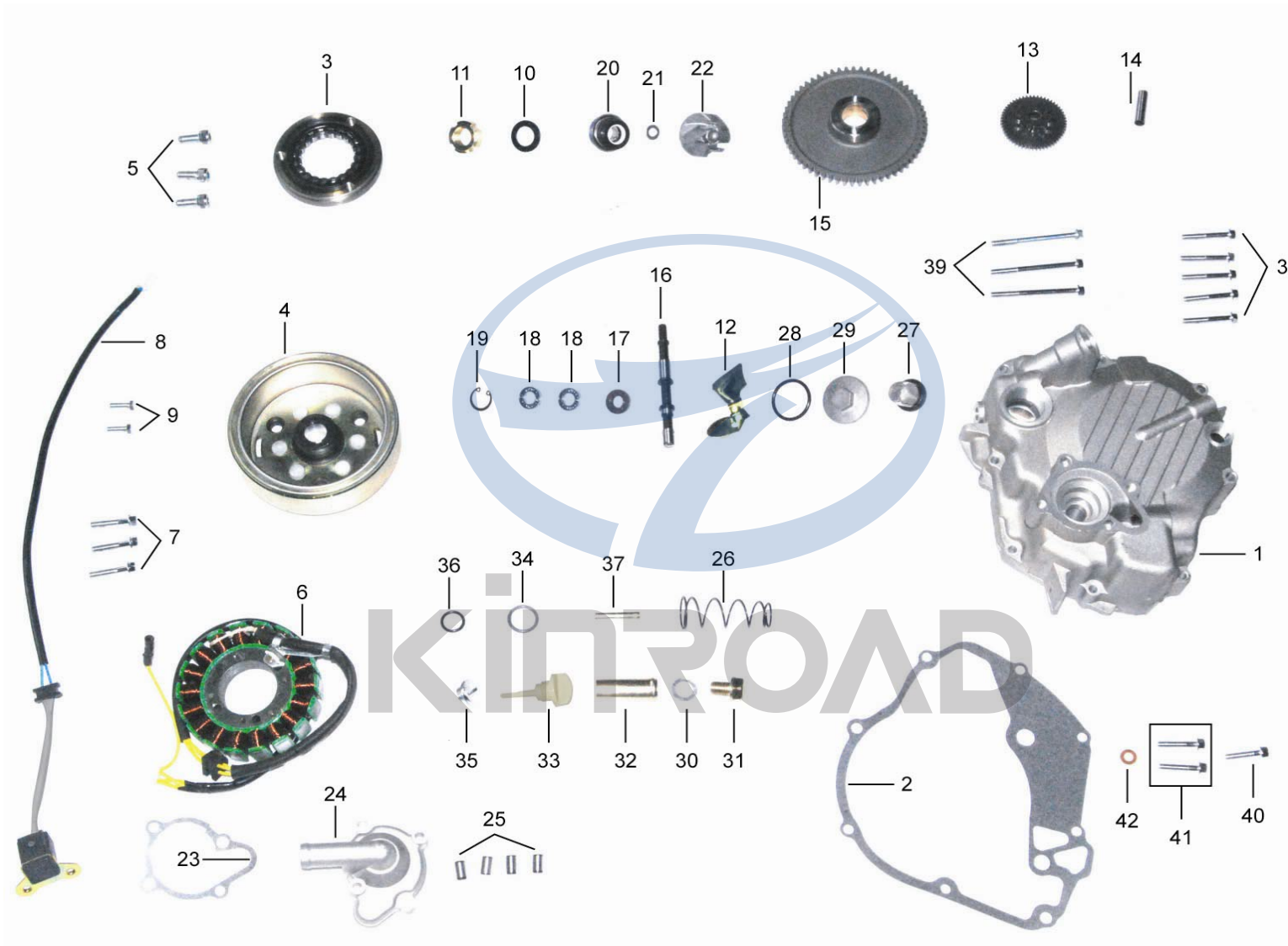


KINROAD XINTIAN Motorcycle Manufacture CO.,LTD

## XT250GK-ENGINE

NO.	Part No.	Description	Description in English	数量Qty	备注Mark
1	172MM-050001	右曲轴箱体	right crankcase	1	
2	172MM-050002	曲轴	crank	1	
3	172MM-050003	前减震套	front shock absorber bush	1	
4	172MM-050004	过油管B	through-tubing B	1	
5	172MM-050005	过油管橡胶套	through-tubing bush	2	
6	172MM-050006	涨紧条	tensioning bar	1	
7	172MM-050007	垫片6.5×18×1.2	cushion 6.5×18×1.2	1	
8	172MM-050008	六角法兰螺丝M6×12	Hexagon flange bolt M6×12	3	
9	172MM-050009	机油泵链条	oil pump chain	1	
10	172MM-050010	机油泵	oil pump	1	
11	172MM-050011	机油泵链轮	oil pump chain wheel	1	
12	172MM-050012	机油泵卡簧φ9.0	oil pump clamp φ9.0	1	
13	172MM-050013	机油泵压板A	oil pump plate A	1	
14	172MM-050014	机油泵压板B	oil pump plate B	1	
15	172MM-050015	六角法兰螺丝M6×25	Hexagon flange bolt M6×25	2	
16	172MM-050016	六角法兰螺丝M6×28	Hexagon flange bolt M6×28	1	
17	172MM-050017	六角法兰螺丝M6×70	Hexagon flange bolt M6×70	1	
18	172MM-050018	半圆键	woodruff key	1	
19	172MM-050019	销子14×2.0	pin 14×2.0	1	
20	172MM-050020	油通弹簧	spring fluid tube	1	
21	172MM-050021	油通接头	connector fluid tube	1	
22	172MM-050022	高压油管	high pressure pipe	1	
23	172MM-050023	过油螺丝A M8×25	baste screew A M8×25	1	
24	172MM-050024	过油螺丝B M8×25	baste screew B M8×25	1	
25	172MM-050025	过油螺丝C M12×28	baste screew C M12×28	1	
26	172MM-050026	耳铜垫14×8.2×1.5	copper cushion14×8.2×1.5	1	
27	172MM-050027	铜垫14×8.2×1.0	copper cushion14×8.2×1.0	3	
28	172MM-050028	铜垫20×12.5×1.5	copper cushion20×12.5×1.5	2	

# XT250GK-ENGINE



KINROAD XINTIAN Motorcycle Manufacture CO.,LTD

## XT250GK-ENGINE

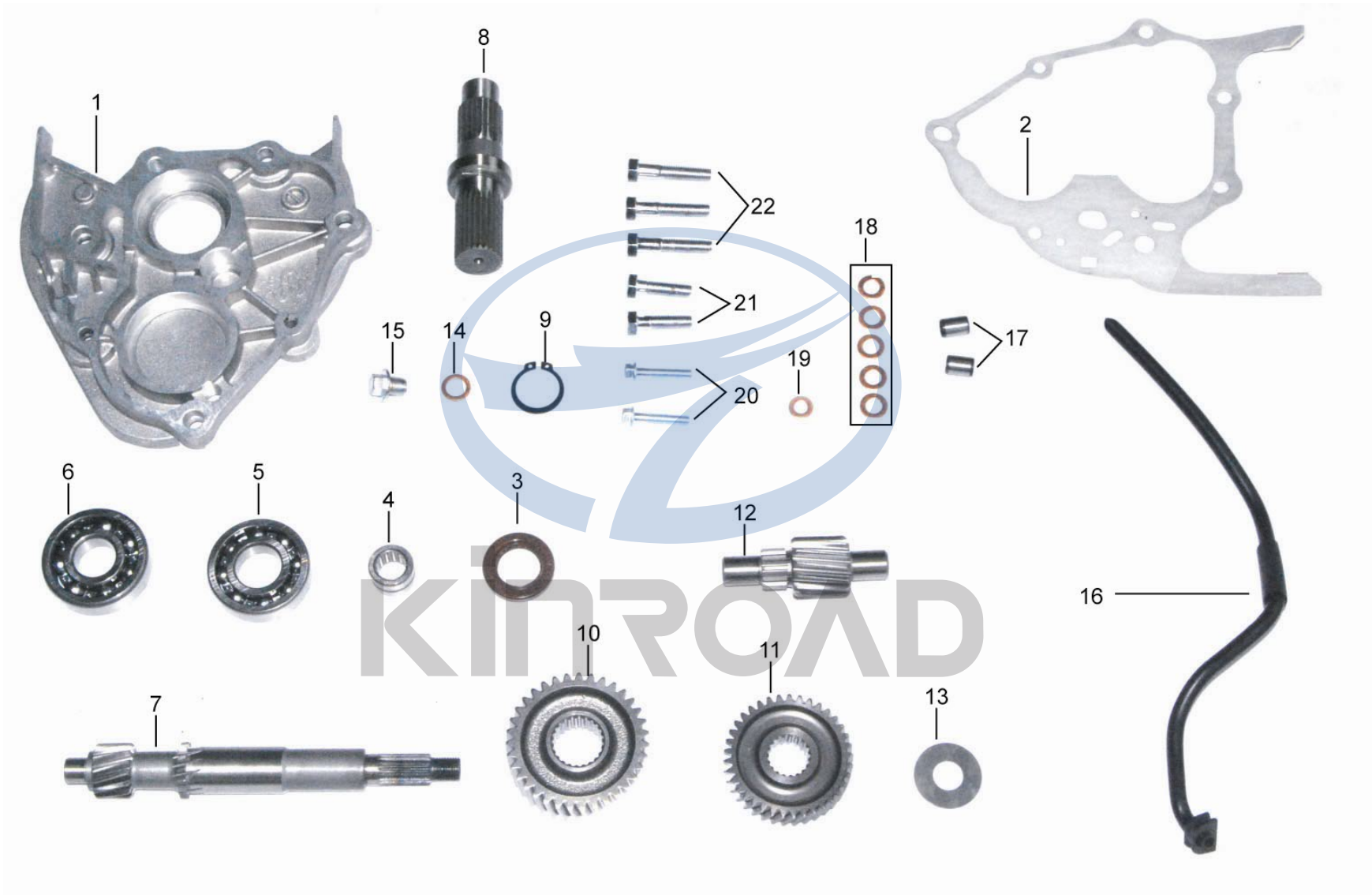
NO.	Part No.	Description	Description in English	数量Qty	备注Mark
1	172MM-060001	右盖	right cover	1	
2	172MM-060002	右盖垫片	right cover cushion	1	
3	172MM-060003	超越离合器	overrunning clutch	1	
4	172MM-060004	磁电机转子	magneto rotor	1	
5	172MM-060005	内六角M8×18	hexagon socket M8×18	3	
6	172MM-060006	磁电机定子	magneto stator	1	
7	172MM-060007	六角法兰螺丝M6×30	Hexagon flange bolt M6×30	3	
8	172MM-060008	触发线块	Trigger Line	1	
9	172MM-060009	六角螺丝M5×16	hexagon socket M5×16	2	
10	172MM-060010	凹垫M16.5×27×2.0	concave cushion M16.5×27×2.0	1	
11	172MM-060011	四爪螺母M16	four paws bolt M16	1	
12	172MM-060012	线圈线夹	coil clamp	1	
13	172MM-060013	双联齿轮	dual gear	1	
14	172MM-060014	双联齿轮轴	dual gear shaft	1	
15	172MM-060015	起动大齿轮	starting gear	1	
16	172MM-060016	水泵轴	water pump shaft	1	
17	172MM-060017	油封10×20×5	oil seal 10×20×5	1	
18	172MM-060018	轴承6800	shaft 6800	2	
19	172MM-060019	轴用档圈φ19	ring, shaft used φ19	1	
20	172MM-060020	机械水封	machine water seal	1	
21	172MM-060021	钢垫7.2×13×1.2	steel cushion7.2×13×1.2	1	
22	172MM-060022	水泵叶轮	water pump impeller	1	
23	172MM-060023	水泵盖垫片	cushion ,water pump cover	1	
24	172MM-060024	水泵盖	water pump cover	1	
25	172MM-060025	定位销8×14	location pin8×14	4	
26	172MM-060026	机油滤网弹簧	spring ,oil filter net	1	
27	172MM-060027	机油滤网	Oil filter net	1	
28	172MM-060028	“O”环30.8×3.2	o spring 30.8×3.2	1	

## XT250GK-ENGINE

29	172MM-060029	机油滤网盖	cover, Oil filter net	1	
30	172MM-060030	垫片12.5×20×1.0	cushion 12.5×20×1.0	1	
31	172MM-060031	放油螺丝M12×15	oil-out screw M12×15	1	
32	172MM-060032	水管接头	connector water pipe	1	
33	172MM-060033	机油尺	dipstick	1	
34	172MM-060034	“O”环18×3	“O” ring 18×3	1	
35	172MM-060035	14mm调整孔盖	14mm access cover	1	
36	172MM-060036	“O”环13.8×2.5	“O” ring 13.8×2.5	1	
37	172MM-060037	右盖通气嘴φ6	ventilate right coverφ6	1	
38	172MM-060038	六角法兰螺丝M6×40	Hexagon flange bolt M6×40	5	
39	172MM-060039	六角法兰螺丝M6×70	Hexagon flange bolt M6×70	3	
40	172MM-060040	六角法兰螺丝M6×25	Hexagon flange bolt M6×25	1	
41	172MM-060041	六角法兰螺丝M6×28	Hexagon flange bolt M6×28	2	

The logo for KINROAD, featuring a stylized blue circular emblem above the brand name 'KINROAD' in a bold, grey, sans-serif font.

# XT250GK-ENGINE

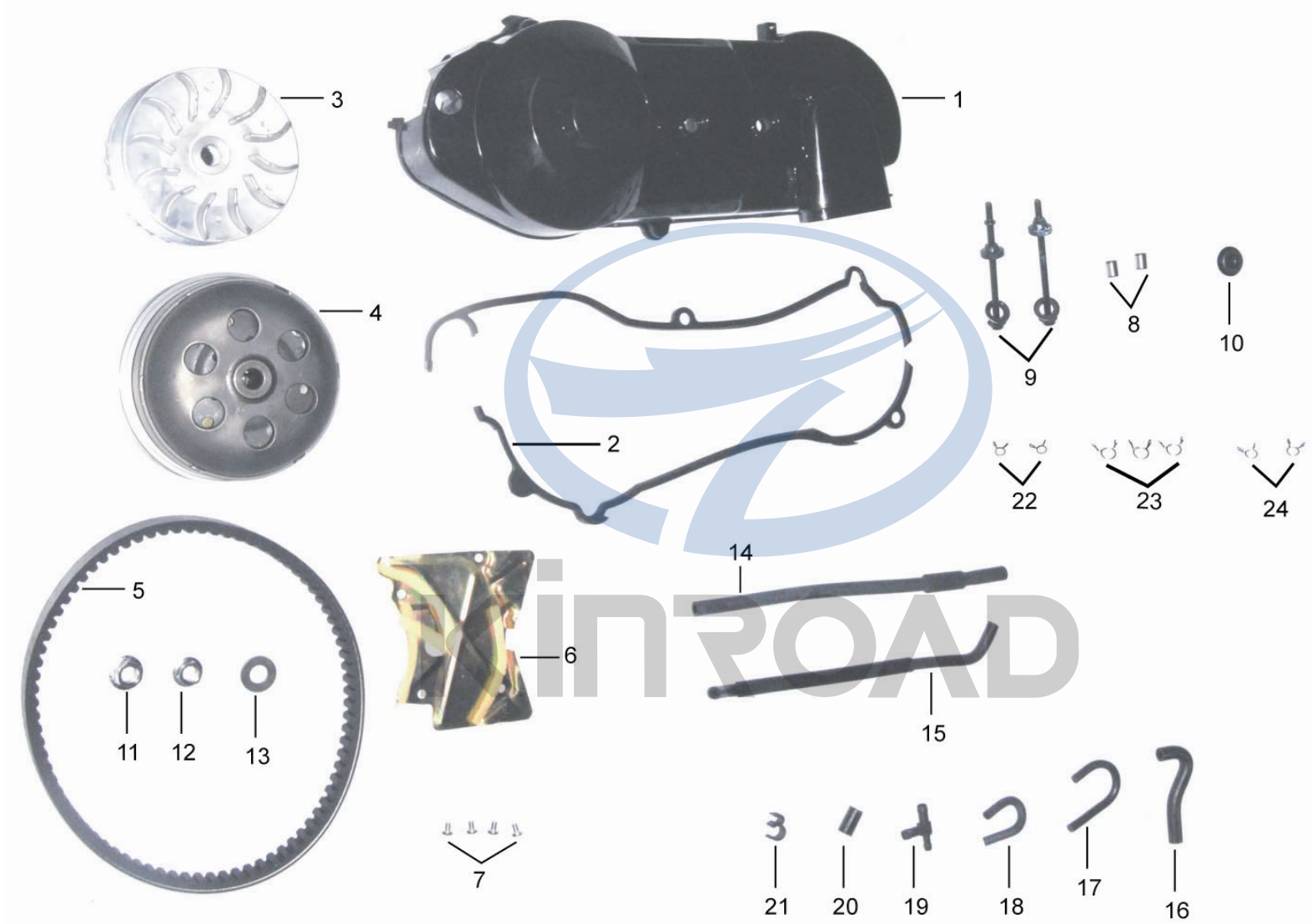


KINROAD XINTIAN Motorcycle Manufacture CO.,LTD

## XT250GK-ENGINE

NO.	Part No.	Description	Description in English	数量Qty	备注Mark
1	172MM-070001	齿轮箱盖	cover, gear case	1	
2	172MM-070002	齿轮箱盖垫片	cushion, gear case cover	1	
3	172MM-070003	油封22×35×7	oil seal 22×35×7	1	
4	172MM-070004	滚针轴承NK14/16	needle roller shaft NK14/16	1	
5	172MM-070005	轴承6304	shaft 6304	1	
6	172MM-070006	轴承62/22	shaft 62/22	1	
7	172MM-070007	驱动轴	drive shaft	1	
8	172MM-070008	输出轴	export shaft	1	
9	172MM-070009	轴用挡圈φ23	check ring used in shaft φ23	1	
10	172MM-070010	输出轴齿轮	gear, export shaft	1	
11	172MM-070011	副轴齿轮	layshaft gear	1	
12	172MM-070012	副轴齿轮	layshaft gear	1	
13	172MM-070013	钢垫14.5×21×1	steel cushion14.5×21×1	1	
14	172MM-070014	铜垫10×20×1.5	copper cushion10×20×1.5	1	
15	172MM-070015	六角法兰螺丝M10×1.25×10	Hexagon flange boltM10×1.25×10	1	
16	172MM-070016	齿轮箱盖通气管	schorkel, gear case cover	1	
17	172MM-070017	定位销10×16	location pin10×16	2	
18	172MM-070018	铜垫14×8.2×1.0	copper cushion14×8.2×1.0	5	
19	172MM-070019	铜垫14×6.5×1.5	copper cushion14×6.5×1.5	1	
20	172MM-070020	六角法兰螺丝M6×30	Hexagon flange boltM6×30	2	
21	172MM-070021	六角法兰螺丝M8×28	Hexagon flange boltM8×28	2	
22	172MM-070022	六角法兰螺丝M8×38	Hexagon flange boltM8×38	3	

# XT250GK-ENGINE



KINROAD XINTIAN Motorcycle Manufacture CO.,LTD



## XT250GK-ENGINE

NO.	Part No.	Description	Description in English	数量Qty	备注Mark
1	172MM-080001	左大盖	left cover	1	
2	172MM-080002	左大盖橡胶垫圈	bush, left cover	1	
3	172MM-080003	主动轮	driver	1	
4	172MM-080004	从动轮	driven	1	
5	172MM-080005	皮带10×20×1.5	belt 10×20×1.5	1	
6	172MM-080006	通气导板	ventilate plate	1	
7	172MM-080007	十字盘头螺针M5×8	THREAD CUTTING SCREW M5×8	4	
8	172MM-080008	定位销10×18	location 10×18	2	
9	172MM-080009	六角法兰特殊螺丝M6×108.5	Hexagon flange special boltM6×108.5	2	
10	172MM-080010	橡胶塞	rubber plug	1	
11	172MM-080011	六角带垫螺母M14	Hexagon flange bolt with cushionM14	1	
12	172MM-080012	六角带垫螺母M12	Hexagon flange bolt with cushionM12	1	
13	172MM-080013	钢垫片14.5×28×2	steel cushion 14.5×28×2	1	
14	172MM-080014	右盖通气管	snorkel, right cover	1	
15	172MM-080015	通空滤器通气管	snorkel, air filter	1	
16	172MM-080016	缸头盖通气管	snorkel, cylinder cover	1	
17	172MM-080017	化油器冷却管A	cooling pipe A, Carburetor	1	
18	172MM-080018	化油器冷却管B	cooling pipe B, Carburetor	1	
19	172MM-080019	三通接头	three-way connection	1	
20	172MM-080020	橡胶减震套	bush shock absorber	1	
21	172MM-080021	油管夹B	oil pipe nip B	1	
22	172MM-080022	卡箍 φ7	clamp φ7	2	
23	172MM-080023	卡箍 φ12	clamp φ12	3	
24	172MM-080024	卡箍 φ11	clamp φ11	2	