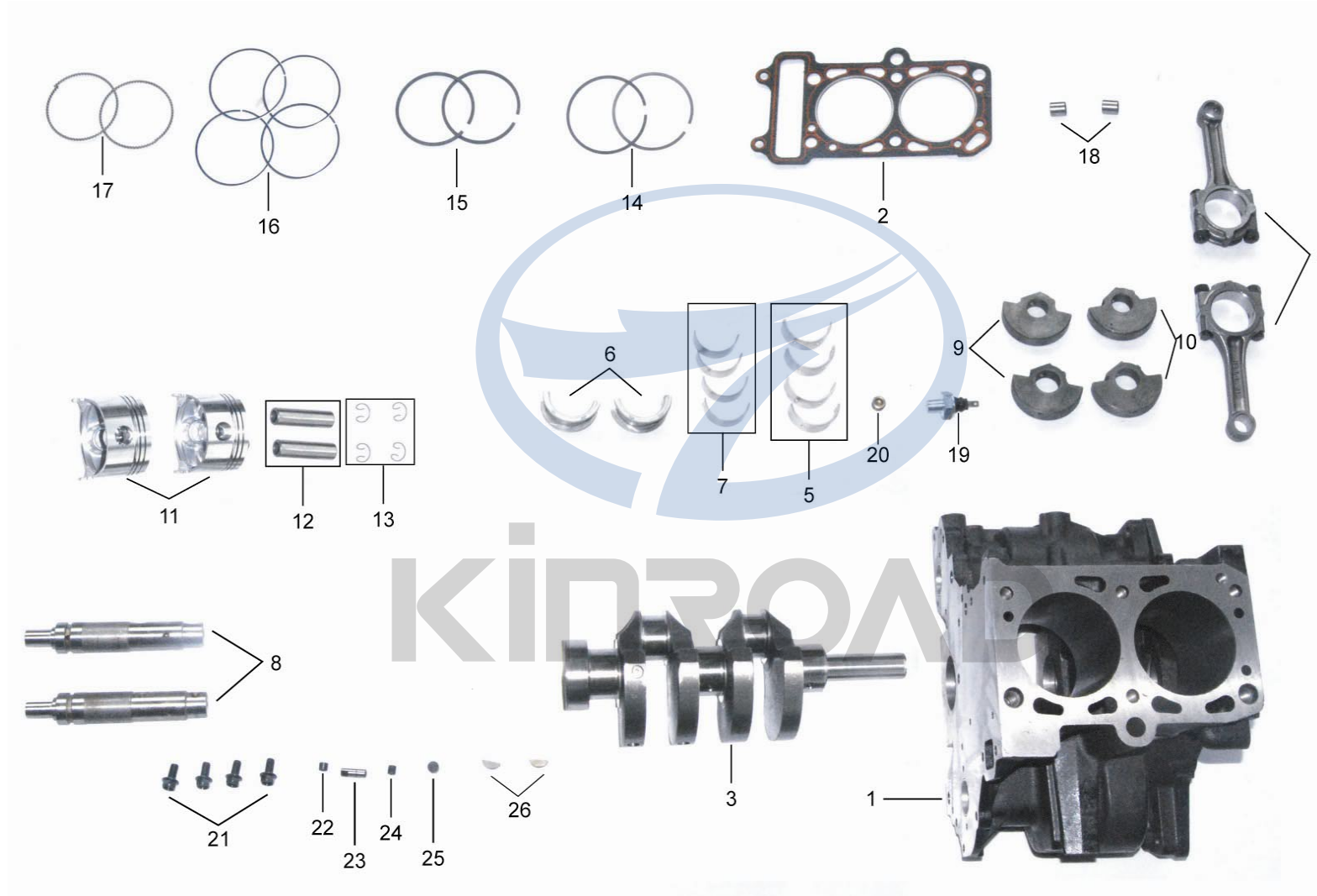


# XT650GK ENGINE

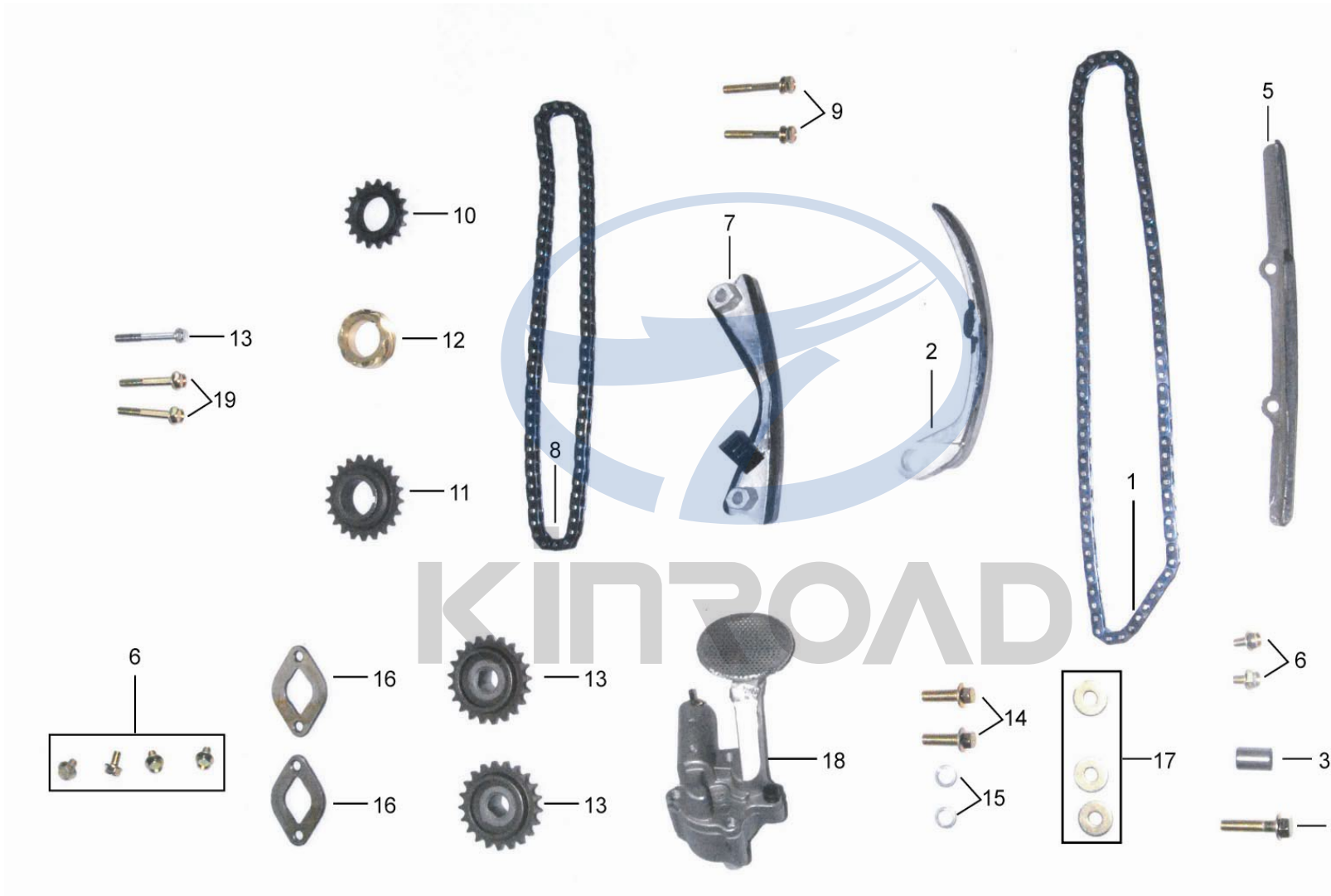


KINROAD XINTIAN Motorcycle Manufacture CO., LTD

## XT650GK ENGINE

NO.	Part No.	Description	Description in English	数量Qty	备注Remark
1	276MT-010001	机体	cylinder	1	
2	276MT-010002	缸头垫片	cylinder cushion	1	
3	276MT-010003	曲轴	crank	1	
4	276MT-010004	连杆总成	ROD ASSY CONNECTING	2	
5	276MT-010005	主轴瓦	main shell	4	
6	276MT-010006	止推主轴瓦	THRUST MAIN SHELL	2	
7	276MT-010007	连杆瓦	connecting rod bush	4	
8	276MT-010008	平衡轴	balance shaft	2	
9	276MT-010009	前平衡块	FR BALANCE BLOCK	2	
10	276MT-010010	后平衡块	RR BALANCE BLOCK	2	
11	276MT-010011	活塞	PISTON	2	
12	276MT-010012	活塞销	PISTON PIN	2	
13	276MT-010013	卡簧	CLAMP	4	
14	276MT-010014	一道环	RING 1	2	
15	276MT-010015	二道环	RING 2	2	
16	276MT-010016	刮片环	scraper ring	4	
17	276MT-010017	油环	oil ring	2	
18	276MT-010018	定位销 $\phi 14 \times 16 \times 10.6$	LOCATION PIN $\phi 14 \times 16 \times 10.6$	2	
19	276MT-010019	机油压力传感器	oil pressure sensor	1	
20	276MT-010020	内六角螺塞M14	BOLT M14	1	
21	276MT-010021	六角法兰螺丝M8×16	Hexagon flange bolt M8×16	4	
22	276MT-010022	II号螺堵	BOLT II	1	
23	276MT-010023	喷油管	spray bar	1	
24	276MT-010024	高压油塞M8×8	HIGH PRESSURE OIL PLUGM8×8	1	
25	276MT-010025	I号螺堵	BOLT I	1	
26	276MT-010026	半圆键	woodruff key	2	

# XT650GK ENGINE

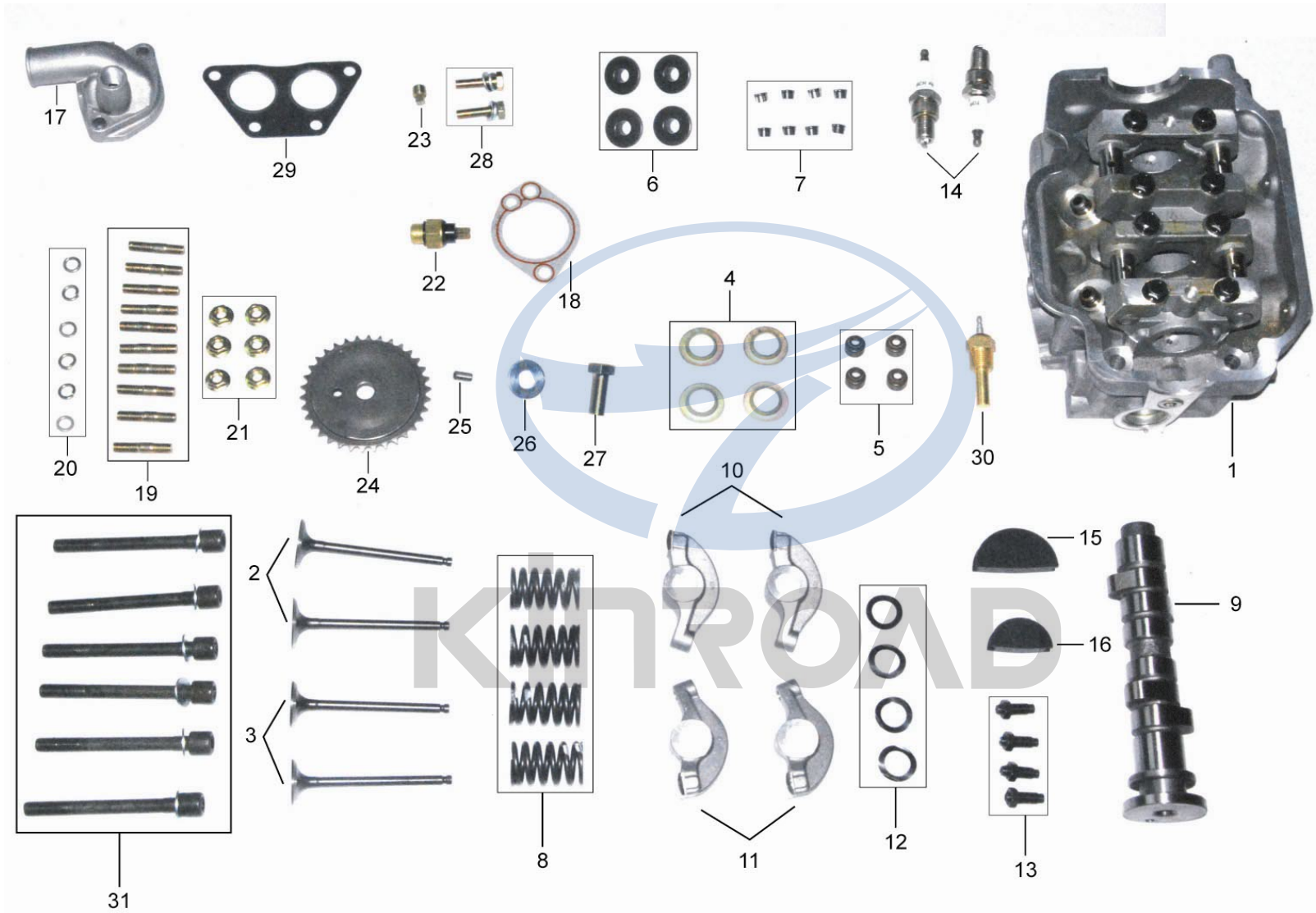


KINROAD XINTIAN Motorcycle Manufacture CO., LTD

## XT650GK ENGINE

NO.		Description	Description in English	数量Qty	备注Remark
1	276MT-020001	正时链条	timing chain	1	
2	276MT-020002	正时链条涨紧板	tightener, timing chain	1	
3	276MT-020003	涨紧条衬套 $\phi 14 \times 21.3 \times 8.5$	tightener bush $\phi 14 \times 21.3 \times 8.5$	1	
4	276MT-020004	六角法兰螺丝M8×35	Hexagon flange bolt M8×35	1	
5	276MT-020005	正时链条导向板	Deflector , timing chain	1	
6	276MT-020006	六角法兰螺丝M6×10	Hexagon flange bolt M6×10	6	
7	276MT-020007	平衡轴链条限位板	Limited plate, balance shaft chain	1	
8	276MT-020008	平衡轴链条	balance chain	1	
9	276MT-020009	六角螺丝M6×45 (带垫片、弹垫)	Hexagon flange bolt M6×45	2	
10	276MT-020010	曲轴正时链轮	Crankshaft timing gear	1	
11	276MT-020011	曲轴平衡轴齿轮	Crankshaft balance shaft gear	1	
12	276MT-020012	曲轴分电器斜齿轮	Crankshaft distributor bevel gear	1	
13	276MT-020013	平衡轴齿轮	balance shaft gear	2	
14	276MT-020014	六角法兰螺丝M8×25	Hexagon flange bolt M8×25	2	
15	276MT-020015	弹垫 $\phi 8$	spring washer $\phi 8$	2	
16	276MT-020016	平衡轴压板	balance shaft plate	2	
17	276MT-020017	垫片 $8.5 \times 16.0 \times 1.5$	washer $8.5 \times 16.0 \times 1.5$	3	
18	276MT-020018	机油泵	oil pump	1	
19	276MT-020019	六角法兰螺丝M6×45	Hexagon flange bolt M6×45	2	
20	276MT-020020	六角法兰螺丝M6×50	Hexagon flange bolt M6×50	1	

# XT650GK ENGINE

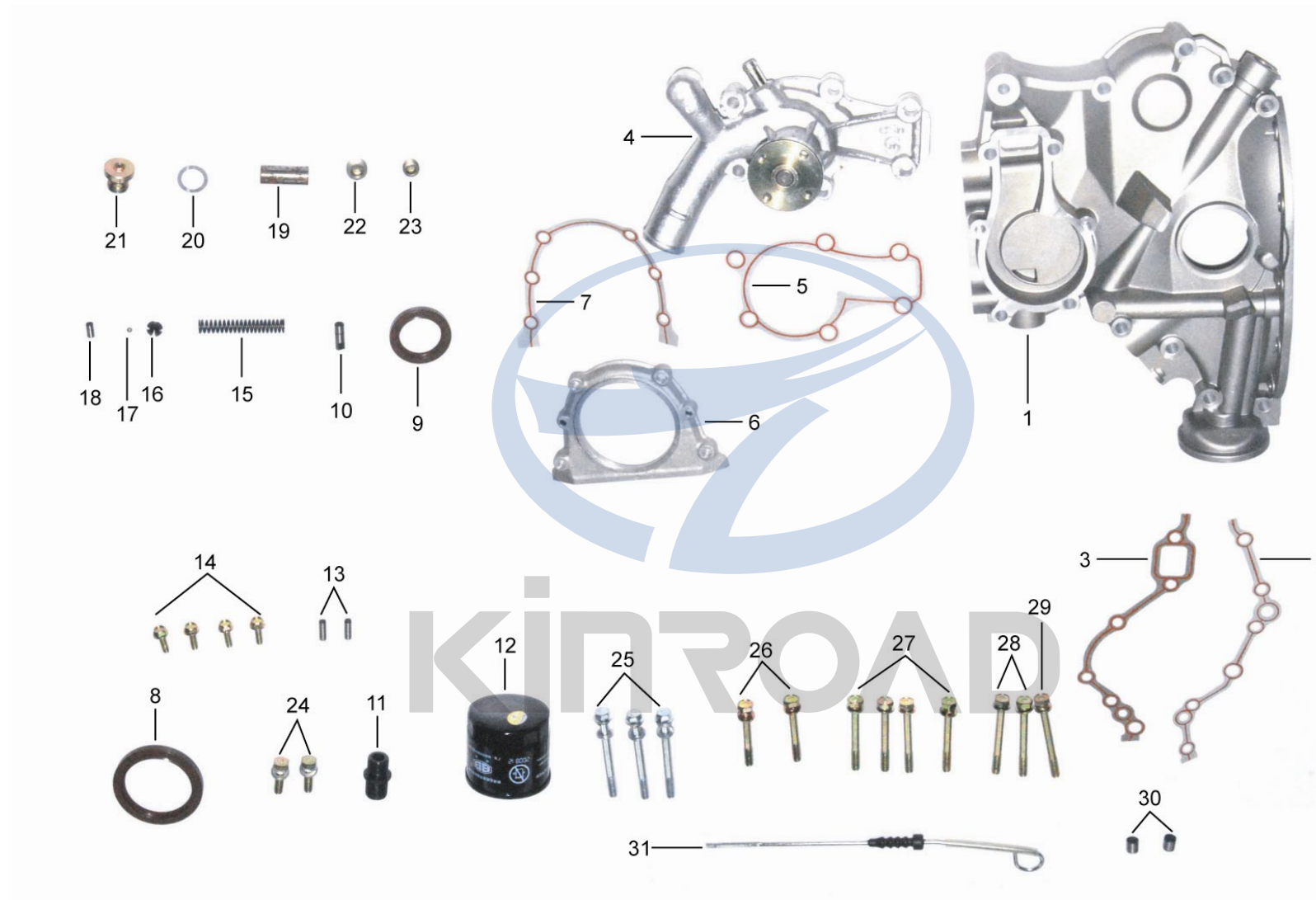


KINROAD XINTIAN Motorcycle Manufacture CO., LTD

## XT650GK ENGINE

NO.		Description	Description in English	数量Qty	备注Remark
1	276MT-030001	气缸盖	cylinder cover	1	
2	276MT-030002	进气门	INTAKE VALVA	2	
3	276MT-030003	排气门	EXHAUST VALVA	2	
4	276MT-030004	气门弹簧底座	VALVA SPRING BASIC	4	
5	276MT-030005	气门油封	OIL SEAL VALVA	4	
6	276MT-030006	气门承盘	OIL PAN	4	
7	276MT-030007	锁扣	twistlock	8	
8	276MT-030008	气门弹簧	SPRING VALVA	4	
9	276MT-030009	凸轮轴	camshaft	1	
10	276MT-030010	1缸摇臂	1 cylinder rocker	2	
11	276MT-030011	2缸摇臂	2 cylinder rocker	2	
12	276MT-030012	波形垫圈	wave type washer	4	
13	276MT-030013	气门调整螺钉	VALVA ADJUST SCREW	4	
14	276MT-030014	火花塞	SPARK PLUG	1	
15	276MT-030015	前半圆胶封(大)	fr potting compound	1	
16	276MT-030016	后半圆胶封(小)	rr potting compound	1	
17	276MT-030017	调温器盖	regulator cover	1	
18	276MT-030018	调温器盖垫片	washer, regulator cover	1	
19	276MT-030019	双头螺丝M8×40	nut 8*40	10	
20	276MT-030020	弹垫φ8	spring washer φ8	6	
21	276MT-030021	六角带垫螺母M8	NUT M8	6	
22	276MT-030022	温控开关	temperature detect switch	1	
23	276MT-030023	四方头螺塞M10×1.0	bolt M10×1.0	1	
24	276MT-030024	凸轮轴正时链轮	camshaft timing wheel	1	
25	276MT-030025	定位销子6×14	location pin6×14	1	
26	276MT-030026	垫片30×12.2×4.8	washer 30×12.2×4.8	1	
27	276MT-030027	六角螺丝M12×30	Hexagon flange bolt M12×30	1	
28	276MT-030028	六角螺丝M8×30(带弹垫、垫片)	Hexagon flange bolt M8×30	2	
29	276MT-030029	排气歧管垫片	washer muffler	1	
30	276MT-030030	水温传感器	water temperature sensor	1	
31	276MT-030031	内六角缸头螺丝M10×100	Hexagon flange bolt M10×100	6	

# XT650GK ENGINE



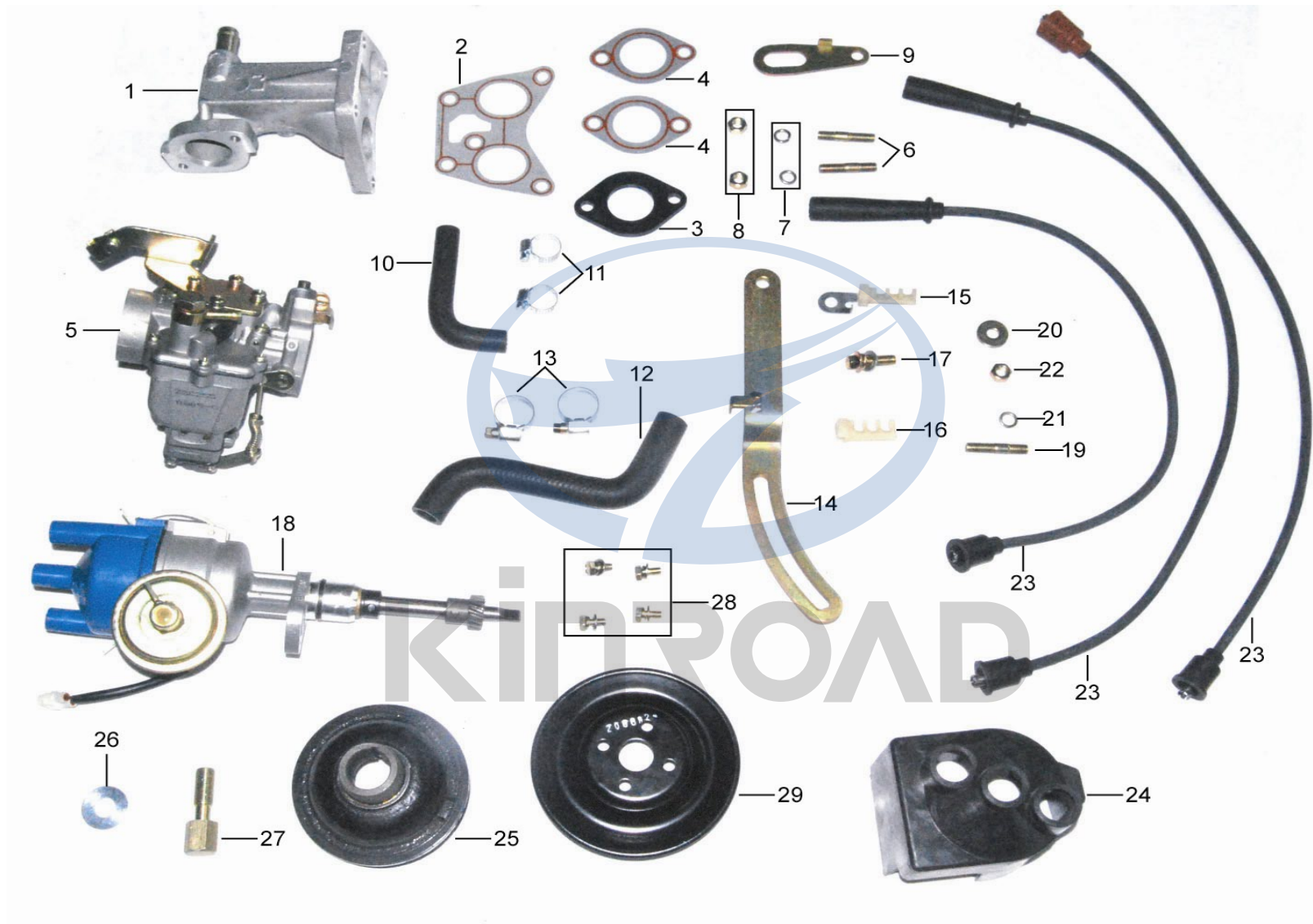
KINROAD XINTIAN Motorcycle Manufacture CO., LTD

## XT650GK ENGINE

NO.		Description	Description in English	数量Qty	备注Remark
1	276MT-040001	链轮室壳体	Sprocket cover	1	
2	276MT-040002	链轮室左垫片	left washer ,Sprocket cover	1	
3	276MT-040003	链轮室右垫片	right washer,Sprocket cover	1	
4	276MT-040004	水泵	water pump	1	
5	276MT-040005	水泵垫片	washer, water pump	1	
6	276MT-040006	后端盖	back cover	1	
7	276MT-040007	后端盖垫片	washer, back cover	1	
8	276MT-040008	油封60×78×9	oil seal 60×78×9	1	
9	276MT-040009	油封35×50×8	oil seal 35×50×8	1	
10	276MT-040010	喷油管	spray bar	1	
11	276MT-040011	机油滤清器连接管	oil filter connecter pipe	1	
12	276MT-040012	机油滤清器	oil filter	1	
13	276MT-040013	定位销子6×18	location pin 6×18	2	
14	276MT-040014	六角法兰螺丝M6×20	Hexagon flange bolt M6×20	4	
15	276MT-040015	涨紧器弹簧	tightener spring	1	
16	276MT-040016	涨紧器弹簧座	tightener spring basic	1	
17	276MT-040017	涨紧器弹珠	tightener hoodle	1	
18	276MT-040018	涨紧器销子	tightener pin	1	
19	276MT-040019	涨紧器弹簧衬套14.8×38×12	tightener spring bush14.8×38×12	1	
20	276MT-040020	涨紧器铝垫片18.2×25.0×1.0	tightener AL washer18.2×25.0×1.0	1	
21	276MT-040021	涨紧器弹簧垫螺塞	tightener spring bolt	1	
22	276MT-040022	内六角螺塞M17	screw M17	1	
23	276MT-040023	内六角螺塞M14	screw M14	1	
24	276MT-040024	六角螺丝M8×30 (带弹垫、垫片)	Hexagon flange bolt M8×30	2	
25	276MT-040025	六角螺丝M8×90 (带弹垫、垫片)	Hexagon flange bolt M8×90	3	
26	276MT-040026	六角螺丝M8×65 (带弹垫、垫片)	Hexagon flange bolt M8×65	2	
27	276MT-040027	六角螺丝M8×75 (带弹垫、垫片)	Hexagon flange bolt M8×75	4	
28	276MT-040028	六角螺丝M8×80 (带弹垫、垫片)	Hexagon flange bolt M8×80	2	
29	276MT-040029	六角螺丝M8×85 (带弹垫、垫片)	Hexagon flange bolt M8×85	1	
30	276MT-040030	定位销11×12×8.5	location pin11×12×8.5	2	
31	276MT-040031	机油尺	dipstick	1	



# XT650GK ENGINE

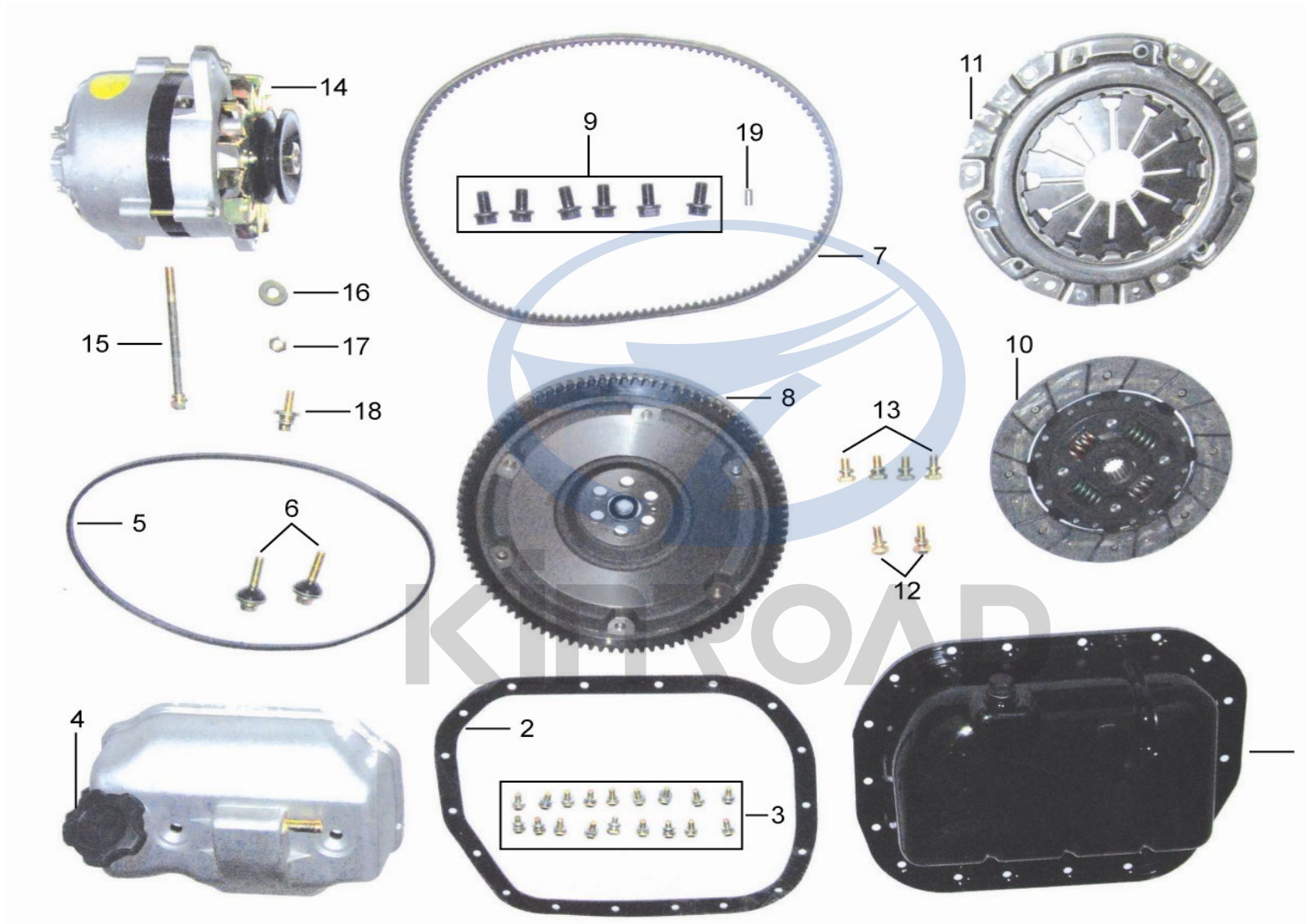


KINROAD XINTIAN Motorcycle Manufacture CO., LTD

## XT650GK ENGINE

NO.		Description	Description in English	数量Qty	备注Remark
1	276MT-050001	进气岐管	intake pipe	1	
2	276MT-050002	进气岐管垫片	intake pipe washer	1	
3	276MT-050003	胶木垫	Bakelite pad	1	
4	276MT-050004	胶木垫垫片	Bakelite pad washer	2	
5	276MT-050005	化油器	Carburetor	1	
6	276MT-050006	双头螺丝M8×40	NUT M8×40	2	
7	276MT-050007	弹垫φ8	Spring washer φ8	2	
8	276MT-050008	六角螺母M8	Bolt M8	2	
9	276MT-050009	吊钩	cliver	1	
10	276MT-050010	水管9×16.5×126	water pipe 9×16.5×126	1	
11	276MT-050011	卡箍(小)	clamp	2	
12	276MT-050012	水管14×21×222	water pipe 14×21×222	1	
13	276MT-050013	卡箍(大)	clamp	2	
14	276MT-050014	发电机调节支架	generator adjust basket	1	
15	276MT-050015	高压阻尼线线卡(镶件)	clip, high pressure damper Line	1	
16	276MT-050016	高压阻尼线线卡	clip, high pressure damper Line	1	
17	276MT-050017	六角法兰螺丝M8×25(带弹垫、垫片)	Hexagon flange bolt M8×25	1	
18	276MT-050018	分电器	distributor	1	
19	276MT-050019	双头螺丝M8×40	NUT M8×40	1	
20	276MT-050020	垫片22×8.5×3.0	WASHER 22×8.5×3.0	1	
21	276MT-050021	弹垫φ8	Spring washer φ8	1	
22	276MT-050022	六角螺母M8	NUT M8	1	
23	276MT-050023	高压尼阻线组件	part, high pressure damper Line	1	
24	276MT-050024	分电器护罩	distributor cover	1	
25	276MT-050025	主动皮带轮	Driving pulley	1	
26	276MT-050026	垫片30×12.2×4.8	washer 30×12.2×4.8	1	
27	276MT-050027	六角特殊螺丝M12×36	Hexagon flange bolt M12×36	1	
28	276MT-050028	六角螺丝M6×12(带弹垫、垫片)	Hexagon flange bolt M6×12	4	
29	276MT-050029	水泵皮带轮	water pump pulley	1	

# XT650GK ENGINE



KINROAD XINTIAN Motorcycle Manufacture CO., LTD

## XT650GK ENGINE

NO.		Description	Description in English	数量Qty	备注Remark
1	276MT-060001	机油盘	oil plate	1	
2	276MT-060002	机油盘密封圈	oil plate seal	1	
3	276MT-060003	六角螺丝M6×12 (带弹垫、垫片)	Hexagon flange bolt M6×12	18	
4	276MT-060004	气缸盖罩	cylinder cover	1	
5	276MT-060005	气缸盖罩密封圈	cylinder cover seal	1	
6	276MT-060006	六角带垫螺丝M8×40 (含铁垫, 橡胶套)	Hexagon flange bolt M8×40	2	
7	276MT-060007	皮带AV 10×845LE	beltAV 10×845LE	1	
8	276MT-060008	飞轮齿圈	flywheel ring gear	1	
9	276MT-060009	六角法兰螺丝M10×16	Hexagon flange bolt M6×12	6	
10	276MT-060010	离合器摩擦片 (离合器从动盘)	clutch disc	1	
11	276MT-060011	离合器压盘 (离合器盖)	clutch plate	1	
12	276MT-060012	六角螺丝M8×20 (带弹垫)	Hexagon flange bolt M8×20	2	
13	276MT-060013	六角螺丝M8×16 (带弹垫)	Hexagon flange bolt M8×16	4	
14	276MT-060014	发电机	generator	1	
15	276MT-060015	六角法兰螺丝M8×110	Hexagon flange bolt M8×110	1	
16	276MT-060016	平垫22×8.5×3.0	washer 22×8.5×3.0	1	
17	276MT-060017	六角螺母M8	NUT M8	1	
18	276MT-060018	六角法兰螺丝M8×25 (带弹垫、平垫片)	Hexagon flange bolt M8×25	1	
19	276MT-060019	定位销子6×14	location pin 6×14	1	