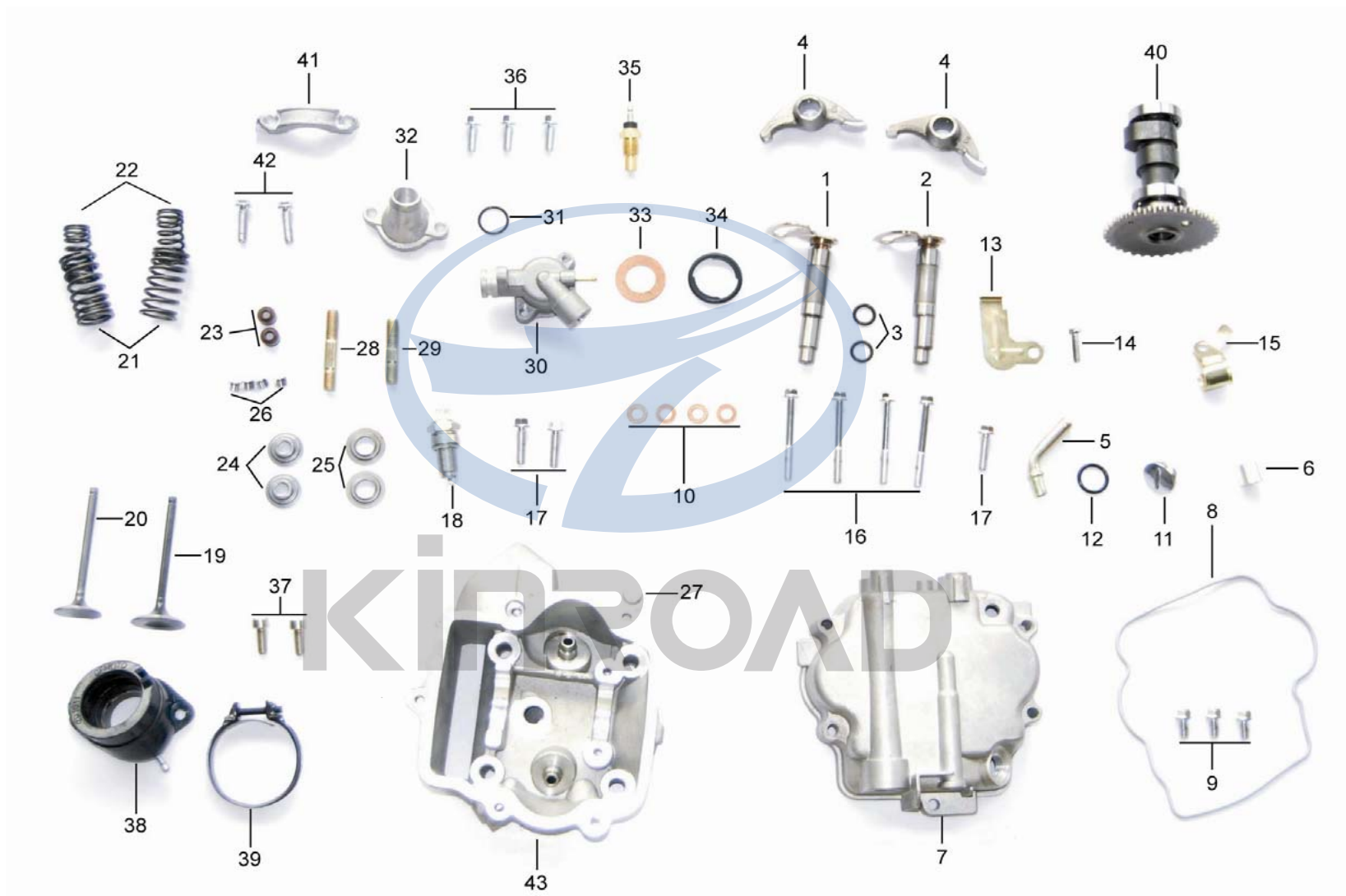


# XT250GK-9 ENGINE



## XT250GK-9 ENGINE

NO.	Part No.	Description	Description in English	数量Qty	备注Mark
1	172MM-010003	进气门摇臂轴IN	IN. ROCKER ARM SHAFT	1	
2	172MM-010004	排气门摇臂轴EX	EX. ROCKER ARM SHAFT	1	
3	172MM-010005	“O”环9.4×2.4	“O” RING 9.4×2.4	2	
4	172MM-010006	摇臂	ROCKER	2	
5	172MM-010010	缸头盖通气管	COVER OF CYLINDER, SCHNORKEL	1	
6	172MM-010013	铝堵头φ14.0×12.0	AL, PLUG	1	
7	172MM-010001	缸头盖	COVER OF CYLINDER	1	
8	172MM-010002	缸头盖密封圈	COVER OF CYLINDER, PACKING RING	1	
9	172MM-010008	六角法兰M6×12	Hexagon flange bolts M6×12	3	
10	172MM-010007	铜垫6.5×12.5×1.0	Copper Cushion6.5×12.5×1.0	4	
11	172MM-010011	14M调整孔盖	14M Adjusting Cover	1	
12	172MM-010012	“O”环13.8×2.5	“O” Ring 13.8×2.5	1	
13	172MM-010014	缸头盖挡油板	Cover of Cylinder, Oil Baffle	1	
14	172MM-010015	圆头十字螺丝M5×18	Round Head Screw M5×18	1	
15	172MM-010017	通气管支架	Schnirkel Bracket	1	
16	172MM-010016	六角法兰M6×50	Hexagon flange bolts M6×50	4	
17	172MM-010018	六角法兰M6×22	Hexagon flange bolts M6×22	3	
18	172MM-010020	火花塞	Spark	1	
19	172MM-020002	进气门	Inlet valve	1	
20	172MM-020003	排气门	Exhaust valve	1	
21	172MM-020008	气门外弹簧	Spring, Out Valve	2	
22	172MM-020009	气门内弹簧	Spring, In Valve	2	
23	172MM-020004	气门油封	Valve Oil Seal	2	
24	172MM-020005	承盘	Basin	2	
25	172MM-020007	气门弹簧下座	Valve Spring Base	2	
26	172MM-020006	锁扣	TwistLock	4	
27	172MM-020025	内六角水堵M12×1.0×10	hexagonal socket nut M12×1.0×10	1	
28	172MM-020027	双头螺丝M8×50	double thread M8×50	1	

## XT250GK-9 ENGINE

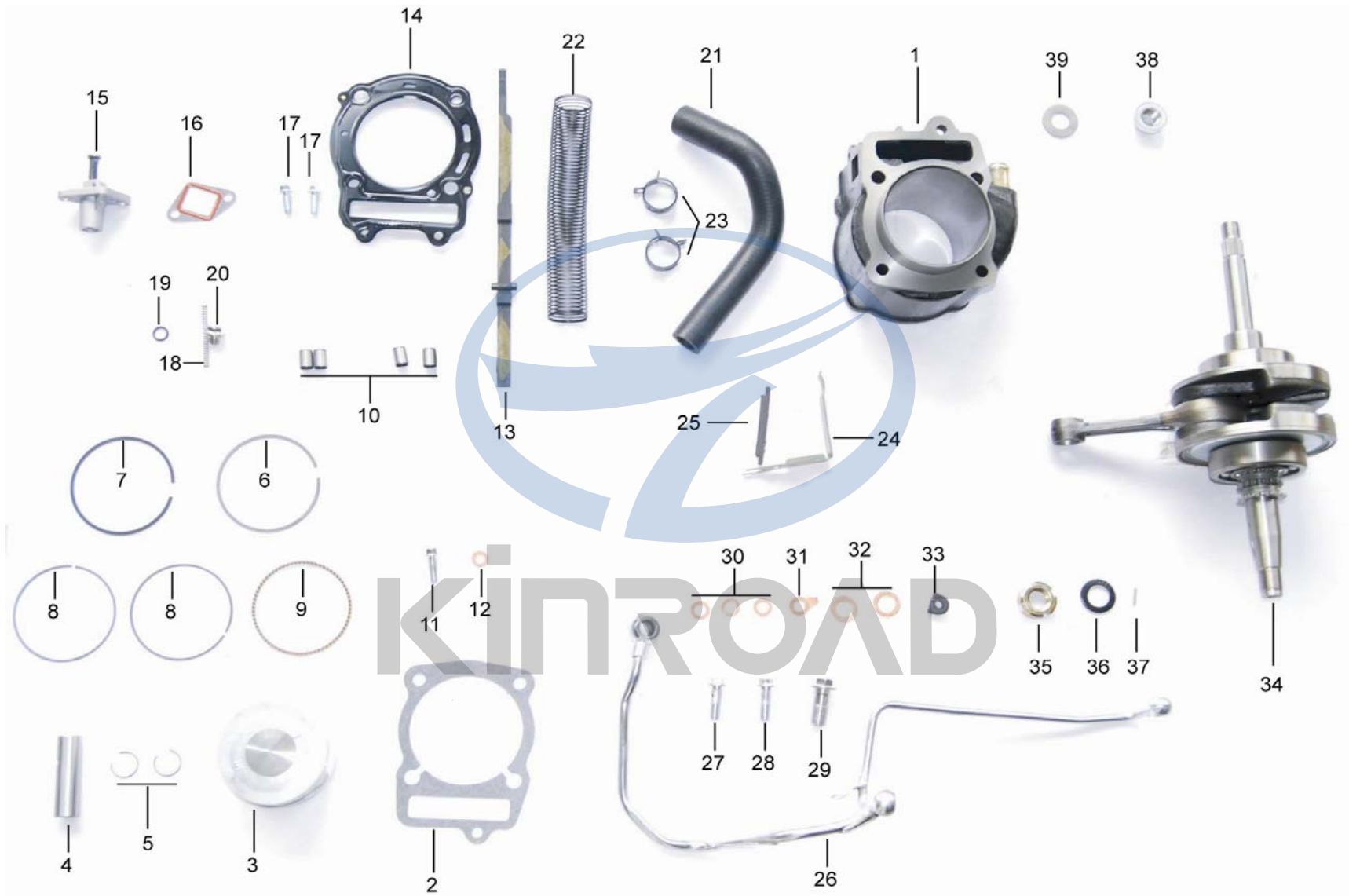
29	172MM-020026	双头螺丝M8×40	double thread M8×40	1	
30	172MM-020016	恒温器室	thermostat body	1	
31	172MM-020017	“O”环14.8×1.9	“O” RING 14.8×1.9	1	
32	172MM-010020	恒温器盖	thermostat cover	1	
33	172MM-020018	铜垫Φ17.2×30×1.0	Copper Cushion Φ17.2×30×1.0	1	
34	172MM-020019	恒温器室“O”环26.5×4.7	thermostat body “O” RING 26.5×4.7	1	
35	172MM-020021	温度传感器	thermostat sensor	1	
36	172MM-020022	六角法兰M6×16	Hexagon flange bolts M6×16	3	
37	172MM-020015	进气管内六角M6×16	Inlet valve hexagon socket M6×16	2	
38	172MM-020013	进气管	intake pipe	1	
39	172MM-020014	进气管卡箍	clamp ,intake pipe	1	
40	172MM-020010	凸轮轴	camshaft	1	
41	172MM-020011	凸轮轴固定座	permanent seat of camshaft	1	
42	172MM-020012	六角法兰平头M6×22	Hexagon flange bolts M6×22	2	
43	172MM-020001	缸头	cylinder body	1	



KINROAD

XT250GK-9 ENGINE

2



## XT250GK-9 ENGINE

NO.	Part No.	Description	Description in English	数量Qty	备注Mark
1	172MM-030001	缸体	cylinder body	1	
2	172MM-030002	缸体垫片	cylinder body, cushion	1	
3	172MM-030004	活塞	piston	1	
4	172MM-030005	活塞销	piston pin	1	
5	178MM-030006	活塞销卡簧	piston pin clamping spring	2	
6	172MM-030007	一道环	piston ring 1	1	
7	172MM-030008	二道环	piston ring 2	1	
8	172MM-030009	刮油环	wiper ring	2	
9	172MM-030010	油环	oil ring	1	
10	172MM-030019	定位销10×14	location pin 10×14	4	
11	172MM-030015	六角法兰M6×20	Hexagon flange bolts M6×20	1	
12	172MM-020029	铜垫6.5×12.5×1.0	Copper Cushion6.5×12.5×1.0	1	
13	172MM-030020	正时链条导向板	director plate, timing sprocket wheel	1	
14	172MM-030003	缸头垫	cylinder cushion	1	
15	172MM-030011	涨紧器	tensioner	1	
16	172MM-030012	涨紧器垫片	tensioner cushion	1	
17	172MM-030013	六角法兰M6×18	Hexagon flange bolts M6×18	2	
18	172MM-030021	涨紧器弹簧	tensioner, spring	1	
19	172MM-030022	涨紧器“O”环8×1.8	tensioner "o"ring8×1.8	1	
20	172MM-030023	涨紧器特殊六角法兰M8×8	tensioner special Hexagon bolts M6×20	1	
21	172MM-030016	过水管	water guide tube	1	
22	172MM-030017	护管弹簧	spring, protecting pipe	1	
23	172MM-030018	卡箍φ24	hoop	2	
24	172MM-020024	油管支架	oil pipe bracket	1	
25	172MM-020025	减震条	stock pad	1	
26	172MM-050022	高压油管	high pressure oil pipe	1	
27	172MM-050023	过油六角法兰A M8×25	baste Hexagon flange bolts A M8×25	1	
28	172MM-050024	过油六角法兰B M8×25	baste Hexagon flange bolts B M8×26	1	

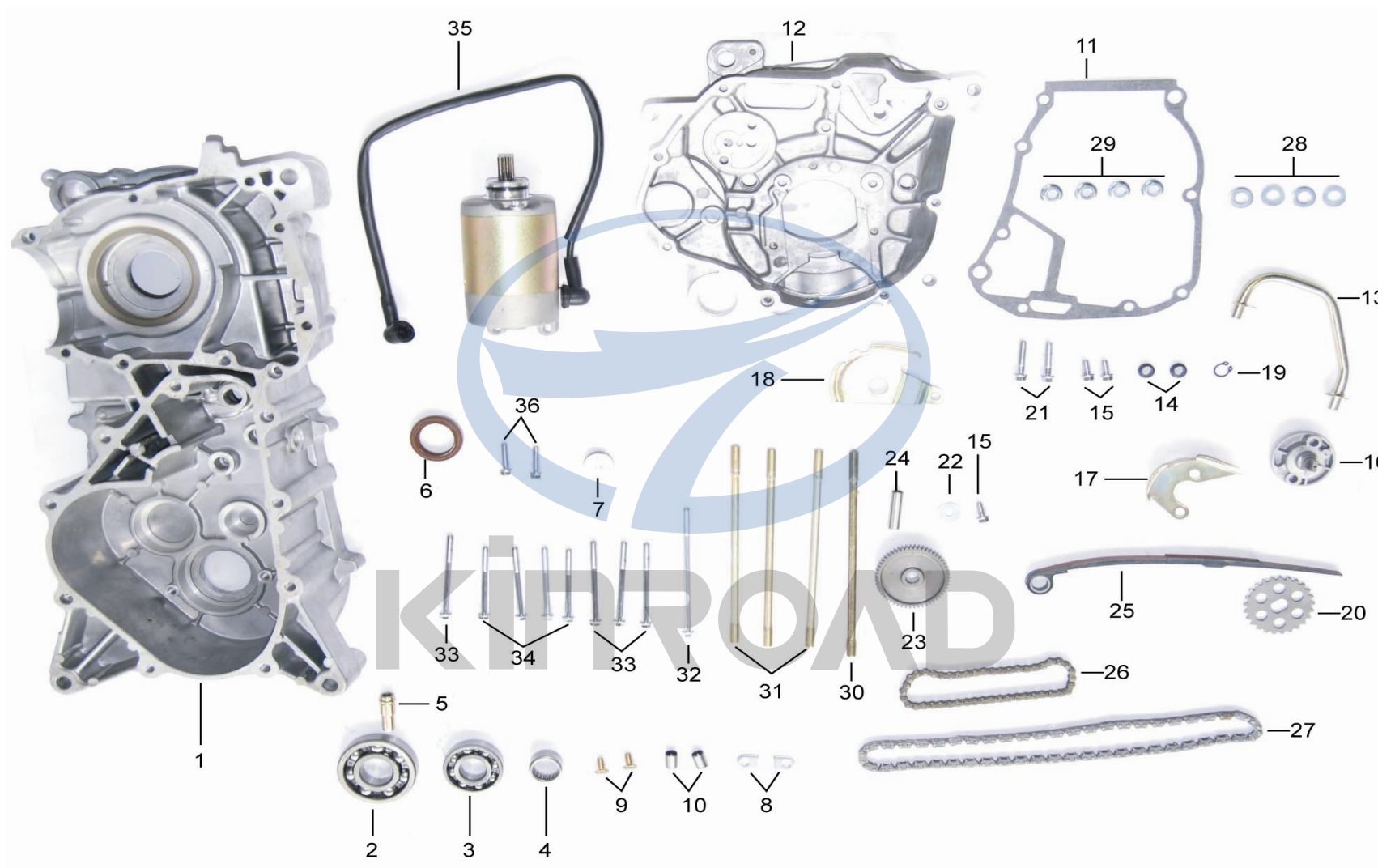
## XT250GK-9 ENGINE

29	172MM-020025	过油六角法兰C M12×28	baste Hexagon flange bolts C M12×28	1	
30	172MM-050027	铜垫14×8.2×1.0	Copper Cushion14×8.2×1.0	3	
31	172MM-050026	耳铜垫14×8.2×1.5	Copper Cushion14×8.2×1.5	1	
32	172MM-050028	铜垫20×12.5×1.5	Copper Cushion20×12.5×1.5	2	
33	172MM-050029	油管夹A	oil pipe nip A	1	
34	172MM-050002-P	曲轴	crank shaft	1	
35	172MM-060011	四爪螺母M16	nut M16	1	
36	172MM-060010	凹垫片16.5×27×2.0	concave cushion 16.5×27×2.0	1	
37	172MM-050019	销子14×2.0	pin 14×2.0	1	
38	178MM-020038	六角带垫螺母M14	hexagonal nut with cushion	1	
39	178MM-020039	垫片14.5×28×2.0	cushion 14.5×28×2.0	1	



KINROAD

# XT250GK-9 ENGINE



## XT250GK-9 ENGINE

NO.	Part No.	Description	Description in English	数量Qty	备注Mark
1	178MM-030001-P	左箱体	left body	1	
2	178MM-030002-P	轴承6305	bearing 6305	1	
3	178MM-030003-P	轴承6304	bearing 6304	1	
4	178MM-030004-P	滚针轴承HK2016	needle roller bearing HK2016	1	
5	178MM-030005-P	通气管	schnorkel	1	
6	172MM-040007	油封28×40×8 (曲轴)	oil seal 28×40×8	1	
7	178MM-030007-P	铝闷头23.5×7.0	AL bulkhead 23.5×7.0	1	
8	178MM-030008-P	驱动轴压板	Drive Shaft platen	2	
9	178MM-030009-P	六角M6×10	Hexagon flange bolts M6×10	2	
10	172MM-040010	定位销10×14	location pin 10×14	2	
11	172MM-040002	曲轴箱垫片	crankcase gasket	1	
12	178MM-030012-P	右体	right body	1	
13	172MM-050004	过油管B	baste pipe B	1	
14	172MM-050005	过油管橡胶套	baste pipe rubber	2	
15	172MM-050008	六角法兰M6×12	Hexagon flange bolts M6×12	3	
16	172MM-050010	机油泵	oil pump	1	
17	172MM-050013	机油泵压板A	oil pump platen A	1	
18	172MM-050014	机油泵压板B	oil pump platen B	1	
19	172MM-050012	机油泵卡簧 φ9.0	oil pump pin φ9.0	1	
20	172MM-050011	机油泵齿轮	oil pump gear	1	
21	172MM-050015	六角法兰M6×25	Hexagon flange bolts M6×25	2	
22	172MM-050007	垫片6.5×18×1.2	gasket 6.5×18×1.2	1	
23	172MM-060013	双联齿轮	duplicate gear	1	
24	172MM-060014	双联齿轮轴	duplicate gear bearing	1	
25	172MM-050006	涨紧条	tension bar	1	
26	172MM-050009	机油泵链条	oil pump chain	1	
27	172MM-040011	凸轮轴正时链条	camshaft timing chain	1	
28	178MM-030028	垫片8.5×18×2.0	gasket 8.5×18×2.0	4	



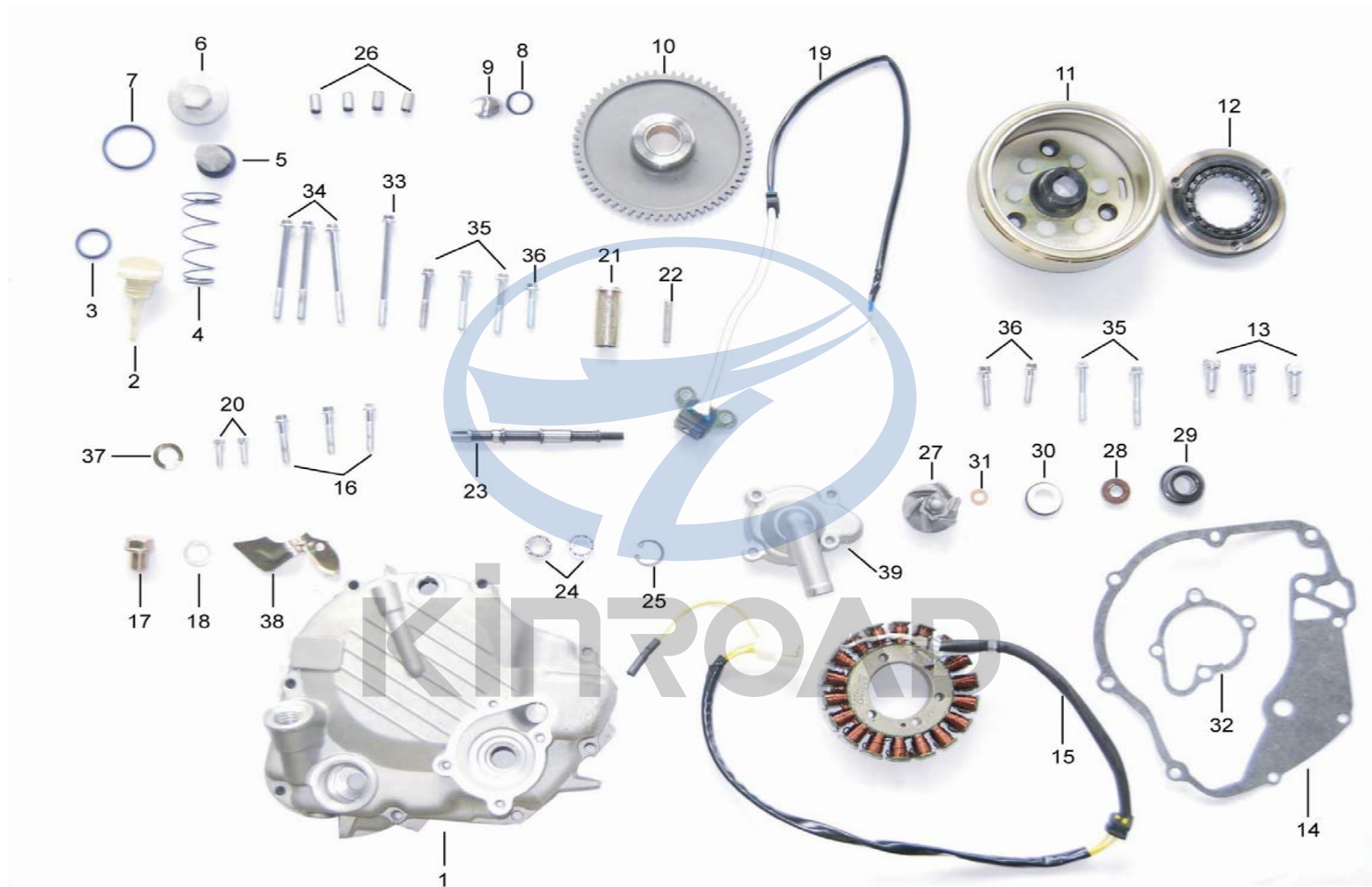
## XT250GK-9 ENGINE

29	172MM-040016	六角带垫螺母M8	Hexagon nut with gasket M8	4	
30	172MM-040022	双头螺丝M8×185	double thread M8×185	1	
31	172MM-040021	双头螺丝M8×177	double thread M8×177	3	
32	172MM-040022	六角法兰M6×110	Hexagon flange bolts M6×110	1	
33	172MM-040018	六角法兰M6×70	Hexagon flange bolts M6×70	4	
34	172MM-040019	六角法兰M6×60	Hexagon flange bolts M6×60	4	
35	172MM-040012	马达	motor	1	
36	172MM-040022	六角法兰M6×22	Hexagon flange bolts M6×22	2	



# XT250GK-9 ENGINE

4



KINROAD XINTIAN Motorcycle Manufacture CO., LTD

## XT250GK-9 ENGINE

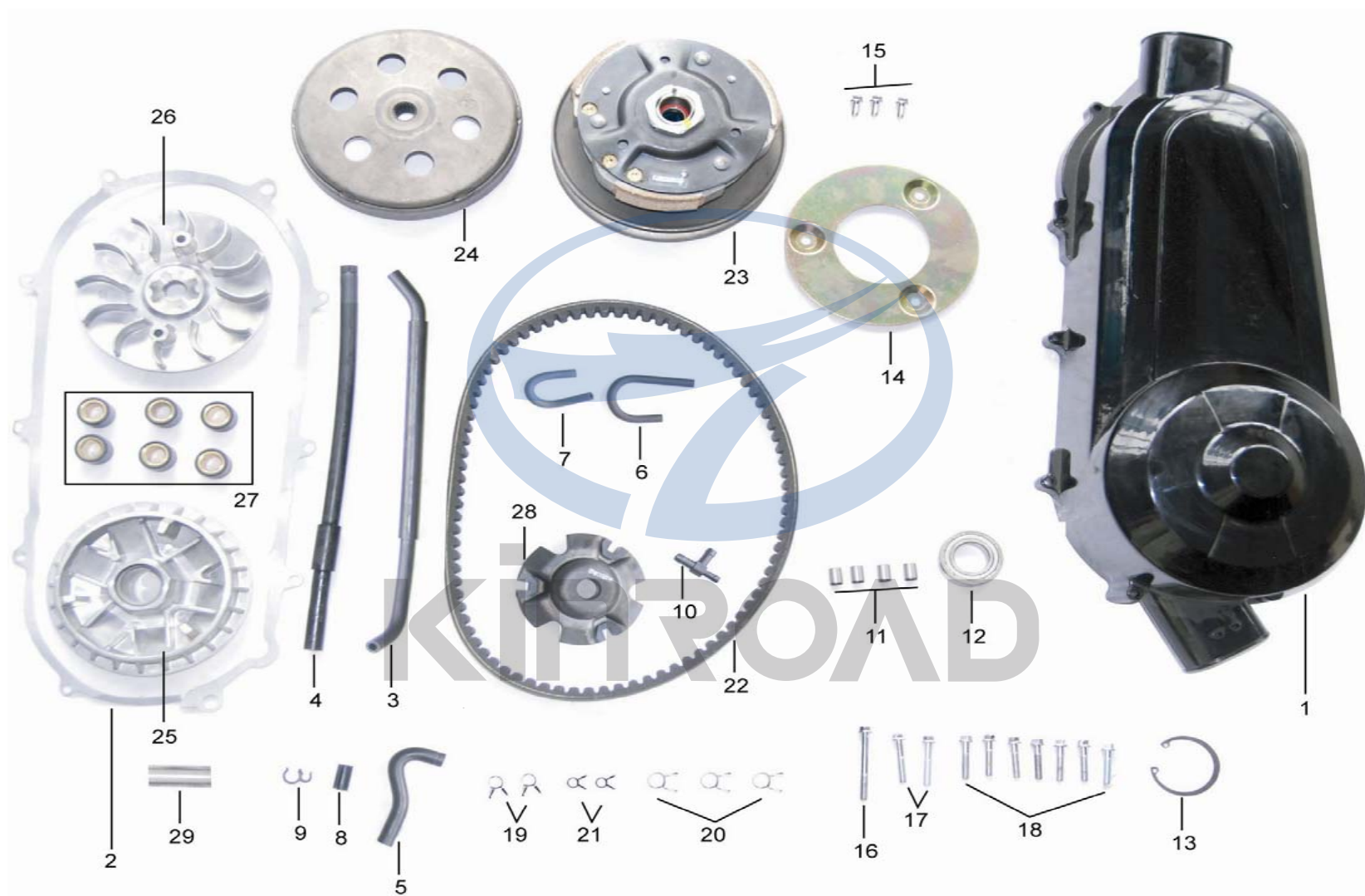
NO.	Part No.	Description	Description in English	数量Qty	备注Mark
1	172MM-060001	右盖	right cover	1	
2	172MM-060033	机油尺	dipstick	1	
3	172MM-060034	“O”环18×3	“o” ring 18×3	1	
4	172MM-060026	机油滤网弹簧	Oil Strainer spring	1	
5	172MM-060027	机油滤网	Oil Strainer	1	
6	172MM-060029	机油滤网盖	Oil Strainer cover	1	
7	172MM-060028	“O”环30.8×3.2	“o” ring 30.8×3.2	1	
8	172MM-060036	调整孔盖“O”环13.8×2.5	Adjusting cover “o” ring13.8×2.5	1	
9	172MM-060035	14M调整孔盖	14MAdjusting cover	1	
10	172MM-060015	起动大齿轮	start gear wheel	1	
11	172MM-060004	磁电机转子	magneto rotor	1	
12	172MM-060003	超越离合器	overrunning clutch	1	
13	172MM-060005	内六角M8×18	hexagon socket M8×18	3	
14	172MM-060002	右盖垫片	right cover gasket	1	
15	172MM-060006	磁电机定子	magneto stator	1	
16	172MM-060007	六角法兰M6×30	Hexagon flange bolts M6×30	3	
17	172MM-060031	放油螺丝M12×15	oil out screwM12×15	1	
18	172MM-060030	垫片12.5×20×1.0	gasket 12.5×20×1.0	1	
19	172MM-060008	触发块	trigger block	1	
20	172MM-060009	六角螺丝M5×16	Hexagon flange bolts M5×16	2	
21	172MM-060032	水管接头	water-pipe tie-in	1	
22	172MM-060037	右盖通气嘴φ6	right cover screen vent φ6	1	
23	172MM-060017	水泵轴	water pump axle	1	
24	172MM-060018	轴承6800	bearing 6800	2	
25	172MM-060019	轴用挡圈φ19	Circlip for shaft φ19	1	
26	172MM-060025	定位销8×14	location pin	4	
27	172MM-060022	水泵叶轮	water pump impelle	1	
28	172MM-060017	油封10×20×5	oil seal 10×20×5	1	

## XT250GK-9 ENGINE

29	172MM-060020-1	机械水封A	machine water seal A	1	
30	172MM-060020-2	机械水封B	machine water seal B	1	
31	172MM-060021	刚垫7.2×13×1.2	Steel Sleeve 7.2×13×1.2	1	
32	172MM-060023	水泵盖垫片	cover of water pump cushion	1	
33	172MM-060041	六角法兰M6×80	Hexagon flange bolts M6×80	1	
34	178MM-040039	六角法兰M6×70	Hexagon flange bolts M6×70	3	
35	172MM-060038	六角法兰M6×40	Hexagon flange bolts M6×40	5	
36	172MM-060040	六角法兰M6×25	Hexagon flange bolts M6×25	3	
37	172MM-060042	铜垫6.5×12.5×1.0	copper cushion 6.5×12.5×1.0	1	
38	172MM-060012	线圈线夹	coil cleat	1	
39	172MM-060024	水泵盖	cover of water pump	1	



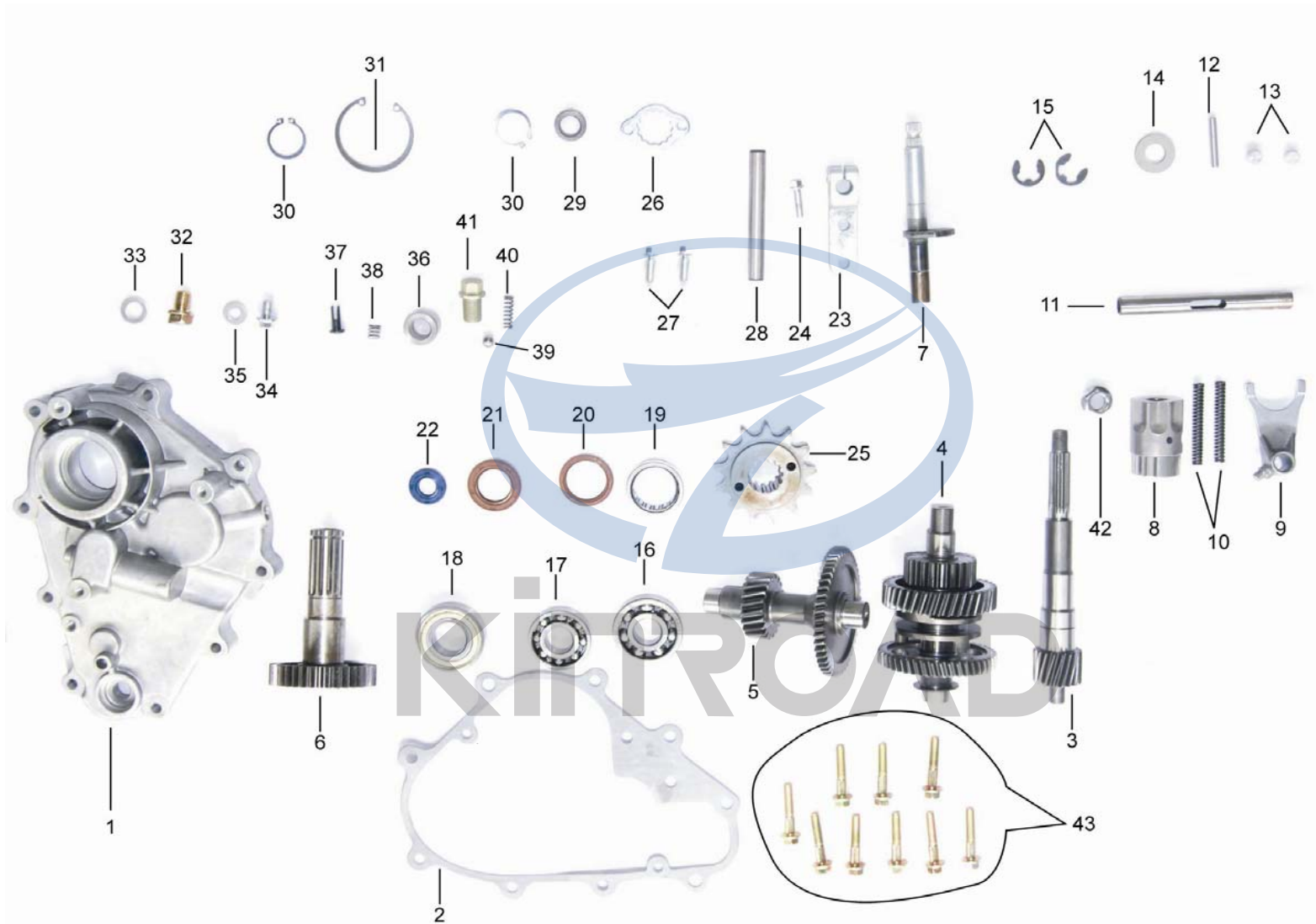
# XT250GK-9 ENGINE



## XT250GK-9 ENGINE

NO.	Part No.	Description	Description in English	数量Qty	备注Mark
1	178MM-050001-P	左大盖	left cover	1	
2	178MM-050002-P	密封垫	gasket	1	
3	178MM-050003-P	右盖通气管	right cover schnorkel	1	
4	172MM-080015	通空滤器通气管	Air filter schnorkel	1	
5	172MM-080016	缸头盖通气管	cover of cylinder schnorkel	1	
6	172MM-080017	化油器冷却管A	carbureter cooling pipe A	1	
7	172MM-080018	化油器冷却管B	carbureter cooling pipe B	1	
8	172MM-080020	橡胶减震套	DAMPING RUBBER BOOT	1	
9	172MM-080021	油管夹B	oil pipe pin	1	
10	172MM-080021	三通接头	Y-shaped connector	1	
11	172MM-030019	定位销10×14	location pin 10×14	4	
12	178MM-050012-P	轴承6005 2RS	bearing	1	
13	178MM-050013-P	C形卡簧 φ42.5	C-shaped pin φ42.5	1	
14	178MM-050014-P	左大盖挡板	lest cover baffle	1	
15	178MM-050015	六角法兰M6×12	Hexagon flange bolts M6×12	3	
16	178MM-050016	六角法兰M6×55	Hexagon flange bolts M6×55	1	
17	178MM-050017	六角法兰M6×35	Hexagon flange bolts M6×35	2	
18	178MM-050018	六角法兰M6×28	Hexagon flange bolts M6×28	7	
19	172MM-080022	卡箍 φ11	hoop φ11	2	
20	172MM-080023	卡箍 φ12	hoop φ12	3	
21	178MM-050021	卡箍 φ7	hoop φ7	2	
22	178MM-050022-P	皮带893×24	strap 893×24	1	
23	178MM-050023-P	从动轮	driven wheel	1	
24	178MM-050024-P	从动盖	cover of driven wheel	1	
25	178MM-050025-P	主动轮	driving wheel	1	
26	178MM-050026-P	主动轮叶盘	driving wheel impelle	1	
27	178MM-050027-P	滚珠	ball bearing	6	
28	178MM-050028-P	离合器三爪盘	clutch three-jaw chuck	1	
29	178MM-050029-P	离合器销	Clutch pin	1	

# XT250GK-9 ENGINE



## XT250GK-9 ENGINE

NO.	Part No.	Description	Description in English	数量Qty	备注Mark
1	178MM-060001-P	齿轮箱盖	cover of gear case	1	
2	178MM-060002-P	齿轮箱盖垫	cover of gear case cushion	1	
3	178MM-060003-P	驱动轴	drive bearing	1	
4	178MM-060004-P	中间组合 (副轴)	middle comp	1	
5	178MM-060005-P	传动轴组件 (主轴)	transmission shaft comp	1	
6	178MM-060006-P	输出轴	output shaft	1	
7	178MM-060007-P	变档轴	shift shaft	1	
8	178MM-060008-P	变速鼓	shift drum	1	
9	178MM-060009-P	拨叉	shifting fork	1	
10	178MM-060010-P	弹簧	spring	2	
11	178MM-060011-P	变速鼓销轴	shift drum pin roll	1	
12	178MM-060012-P	销轴35×5	pin roll 35×5	1	
13	178MM-060013-P	铝闷头 φ10×7.5	AL bulkhead φ10×7.5	2	
14	178MM-060014-P	垫片16.5×27×2.0	cushion 16.5×27×2.0	1	
15	178MM-060015-P	特殊卡簧	special pin	2	
16	178MM-060016-P	轴承6304	bearing 6304	1	
17	178MM-060017-P	轴承6204	bearing 6204	1	
18	178MM-060018-P	轴承6205Z	bearing 6205Z	1	
19	178MM-060019-P	滚针轴承NA-RNA4905	needle roller shaft NA-RNA4905	1	
20	178MM-060020-P	油封30×40×7	oil seal 30×40×7	1	
21	178MM-060021-P	油封25×40×8	oil seal 25×40×8	1	
22	178MM-060022-P	油封14×28×7	oil seal 14×28×7	1	
23	178MM-060023-P	变档杆	shift lever	1	
24	178MM-060024-P	六角法兰M6×22	Hexagon flange bolts M6×22	1	
25	178MM-060025-P	驱动链轮13T	drive sprocket 13T	1	
26	178MM-060026-P	链轮压板	sproket platen	1	
27	178MM-060027-P	六角法兰M6×28	Hexagon flange bolts M6×28	2	
28	178MM-060028-P	拨叉导杆	yoke shifter leader	1	



## XT250GK-9 ENGINE

29	178MM-060029-P	变速鼓衬套15×23×14	shift drum busher 15×23×14	1	
30	178MM-060030-P	卡簧 φ 22	bin φ 22	2	
31	178MM-060031-P	卡簧 φ 49	bin φ 49	1	
32	178MM-060032-P	注油螺丝M12×15	oiling screw M12×15	1	
33	178MM-060033-P	垫片12.5×20×1.5	cushion 12.5×20×1.5	1	
34	178MM-060034-P	放油六角法兰M8×12	oil out Hexagon flange bolts M8×12	1	
35	178MM-060035-P	放油垫片8.5×18×2.0	oil out busher 8.5×18×2.0	1	
36	178MM-060036-P	输出轴衬套21×15×25	output shaft busher21×15×25	1	
37	178MM-060037-P	油通接头	oil though connector	1	
38	178MM-060038-P	油通弹簧	oil though spring	1	
39	178MM-060039-P	变速鼓弹珠	shift drum hoodle	1	
40	178MM-060040-P	变速鼓弹簧	shift drum spring	1	
41	178MM-060041-P	特殊螺丝M14×21.0	special screw M14×21.0	1	
42	178MM-060042-P	六角带垫螺母M12	Hexagon nut with cushion M12	1	
43	178MM-060043-P	六角法兰M6×40	Hexagon flange bolts M6×40	9	



KINROAD