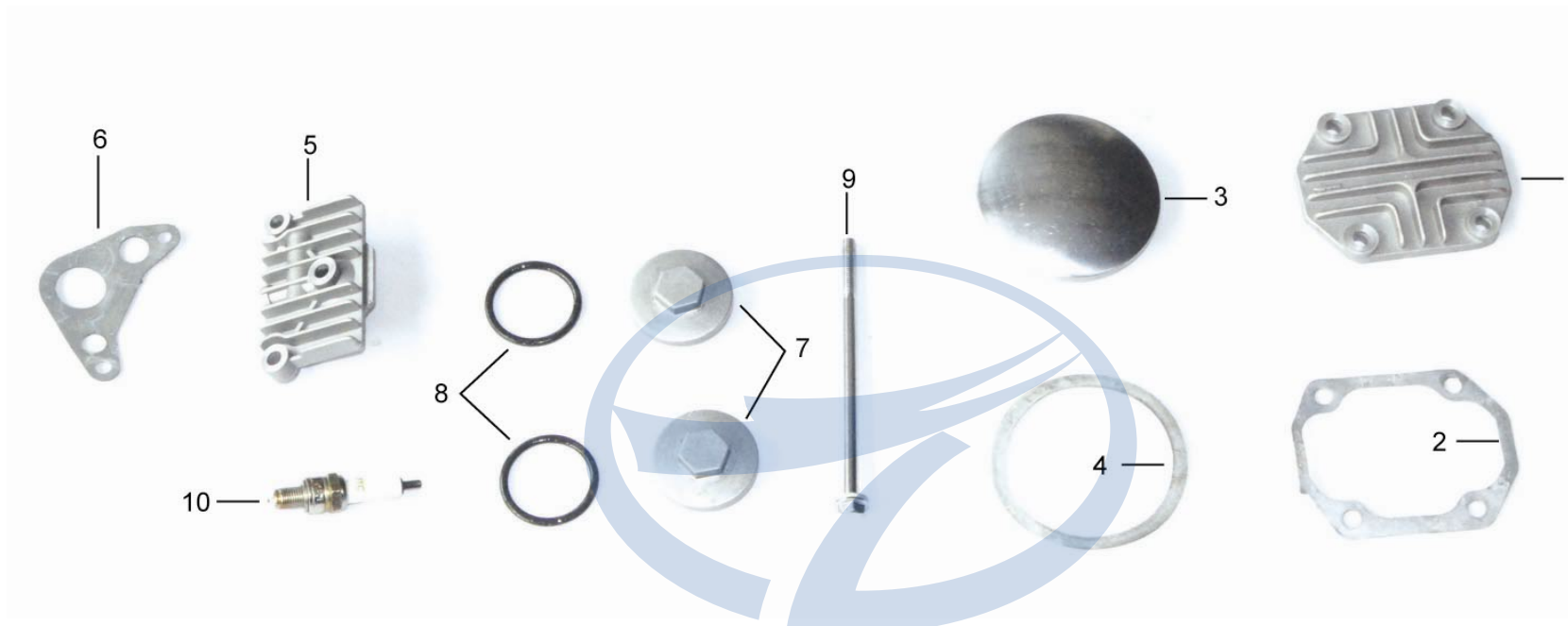
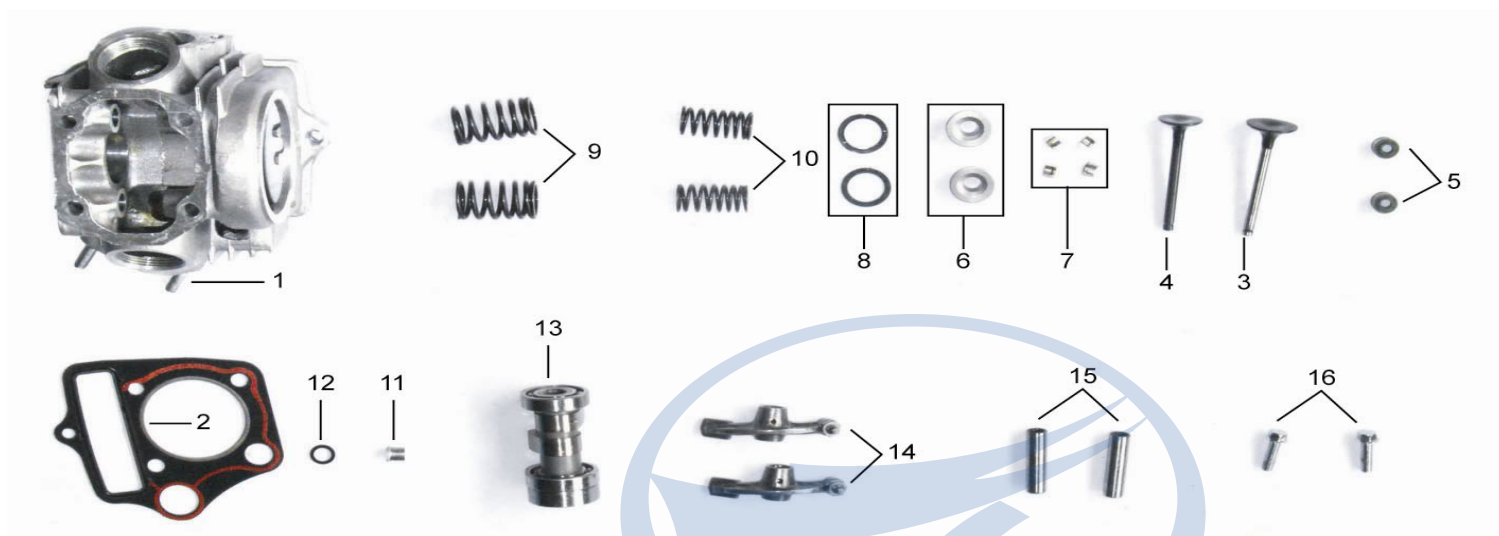


## XT90GK ENGINE



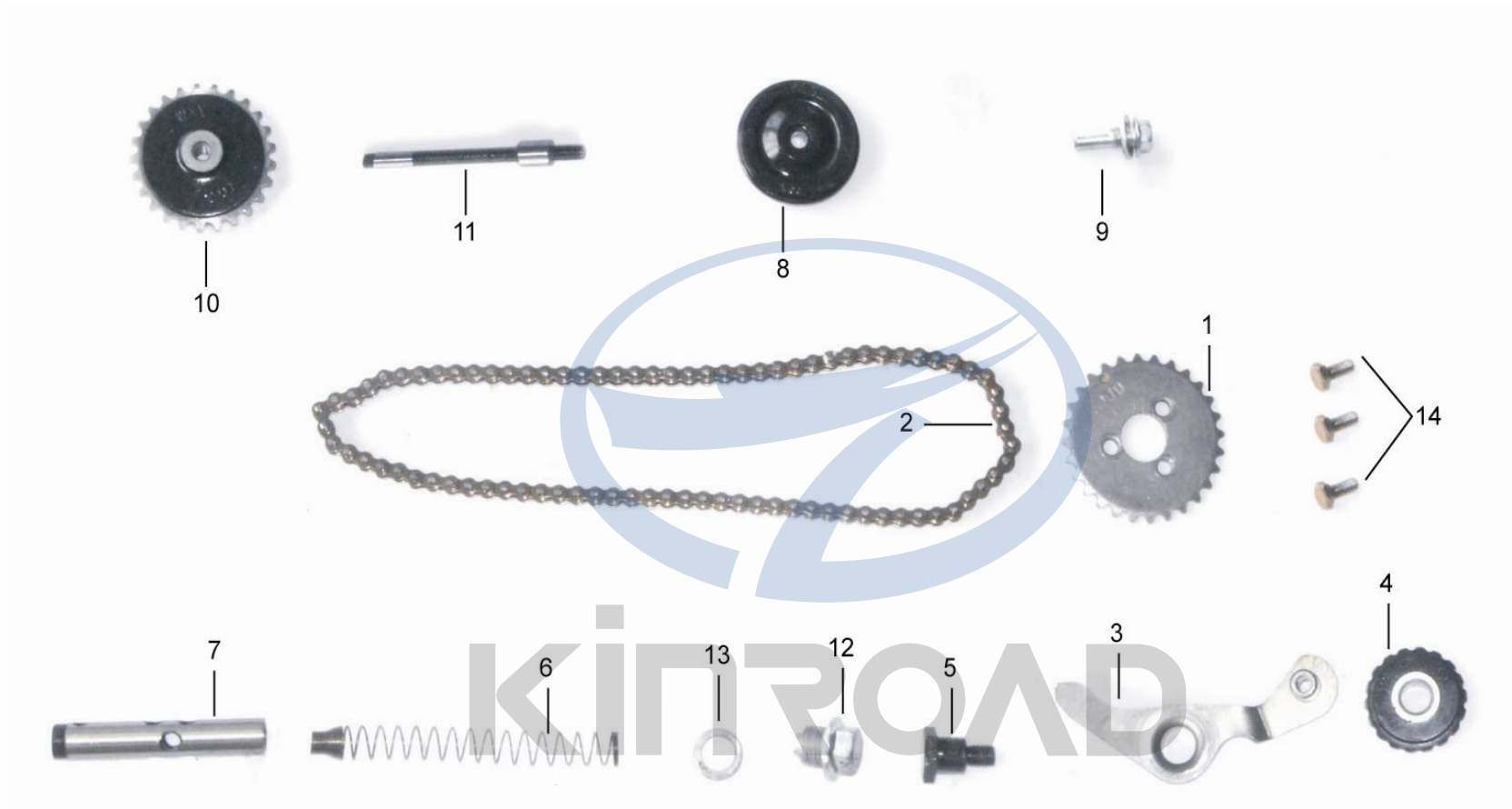
NO.	Part No.	Description	Description in English	数量Qty	备注Remark
1	147FMF-010001	汽缸头盖	CYCLDER HEAD COVER	1	
2	147FMF-010002	汽缸头盖垫片	GASGET	1	
3	147FMF-010003	汽缸头左盖	L. COVER, CYCLDER HEAD	1	
4	147FMF-010004	汽缸头左盖垫片	GASKET, L. COVER	1	
5	147FMF-010005	汽缸头右盖	R. COVER, CYCLDER HEAD	1	
6	147FMF-010006	汽缸头右盖垫片	GASKET, R. COVER	1	
7	147FMF-010007	气门盖	VALVE COVER	2	
8	147FMF-010008	气门盖“O”环30.8×3.2	VALVE COVER“O”RING30.8×3.2	2	
9	147FMF-010009	六角法兰螺栓M6×110	BOLTM6×110	1	
10	147FMF-010010	火花塞	SPARK PLUG	1	

## XT90GK ENGINE



NO.	Part No.	Description	Description in English	数量Qty	备注Remark
1	147FMF-020001	汽缸头	CYCLDER HEAD	1	
2	147FMF-020002	汽缸头垫片(气缸床)	GASKET	1	
3	147FMF-020003	进气门	INLET VALVE	1	
4	147FMF-020004	排气门	EXHAUST VALVE	1	
5	147FMF-020005	气门油封	OIL SEAL	2	
6	147FMF-020006	气门承盘(气门座)	VALVE SEAT	2	
7	147FMF-020007	气门锁扣	VALVE CLIP	4	
8	147FMF-020008	气门弹簧垫片	GASKET	2	
9	147FMF-020009	气门外弹簧	OUTER VALVE SPRING	2	
10	147FMF-020010	气门内弹簧	INNER VALVE SPRING	2	
11	147FMF-020011	定位销8×12	POSITION PIN 8*12	1	
12	147FMF-020012	矩形密封圈9×11.5×1.5	RECTANGLE SEAL9*11.5*1.5	1	
13	147FMF-020013	凸轮轴	CAMSHAFT	1	
14	147FMF-020014	摇臂	ROCKER ARM	2	
15	147FMF-020015	摇臂轴	SHAFT, ROCKER ARM	2	
16	147FMF-020016	六角法兰螺栓M6×20	BOLT M6×20	2	

# XT90GK ENGINE



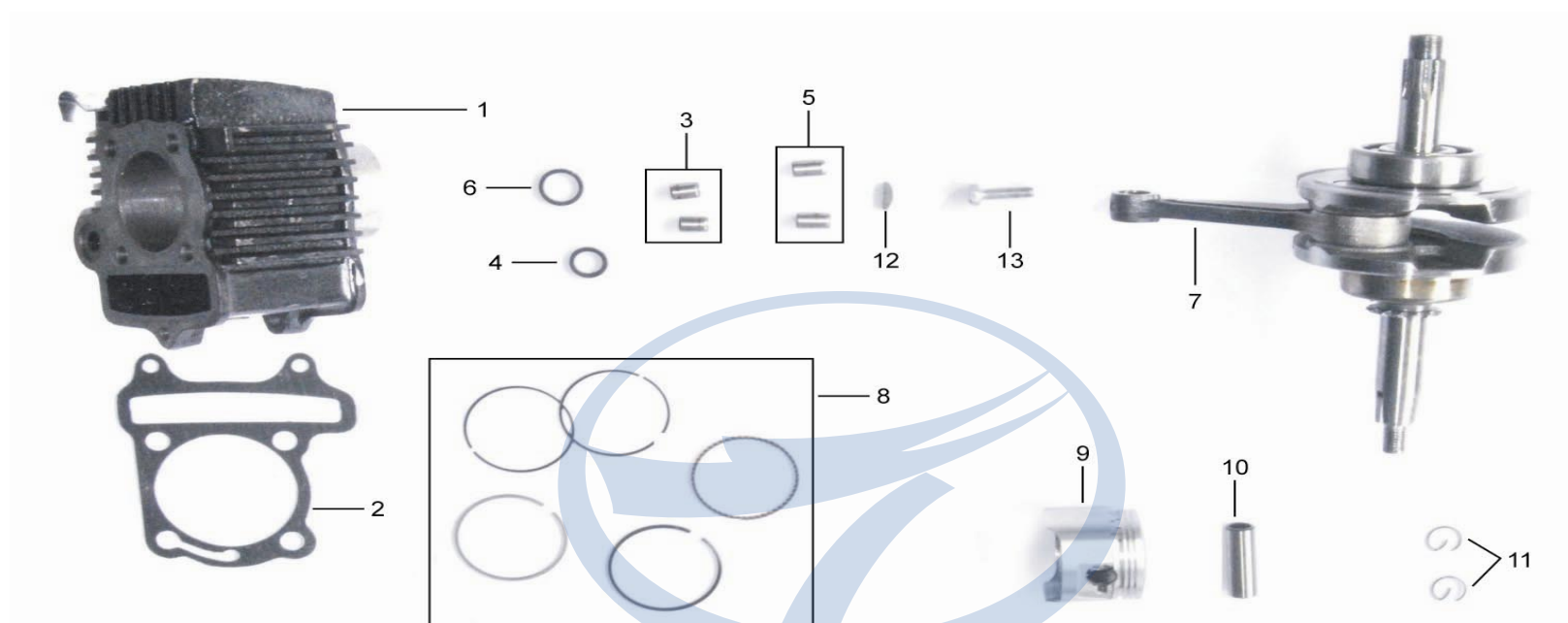
**KINROAD XINTIAN Motorcycle Manufacture CO.,LTD**

## XT90GK ENGINE

NO.	Part No.	Description	Description in English	数量Qty	备注Remark
1	147FMF-030001	正时从动链轮	DRIVE SPROCKET	1	
2	147FMF-030002	正时链条	TIMING CHAIN	1	
3	147FMF-030003	张紧臂	TIGHTENING ARM	1	
4	147FMF-030004	张紧轮	TIGHTENING RING	1	
5	147FMF-030005	张紧臂螺钉	BOLT	1	
6	147FMF-030006	张紧杆弹簧	SPRING, GUIDE START CHAIN	1	
7	147FMF-030007	张紧杆	GUIDE, START CHAIN	1	
8	147FMF-030008	导向轮	GUIDE ROLLER	1	
9	147FMF-030009	导向轮销轴	GUIDE ROLLER PIN	1	
10	147FMF-030010	机油泵主动链轮	DRIVE SPROCKET	1	
11	147FMF-030011	油泵链轮轴	SPROCKET SHAFT	1	
12	147FMF-030012	密封螺塞M14*12.5(张紧螺栓)	GASKET M14*12.5	1	
13	147FMF-030013	张紧密封垫14*1.5	GASKET M14*1.5	1	
14	147FMF-030014	六角螺栓M6×12(正时螺栓)	BOLTM6×12	3	

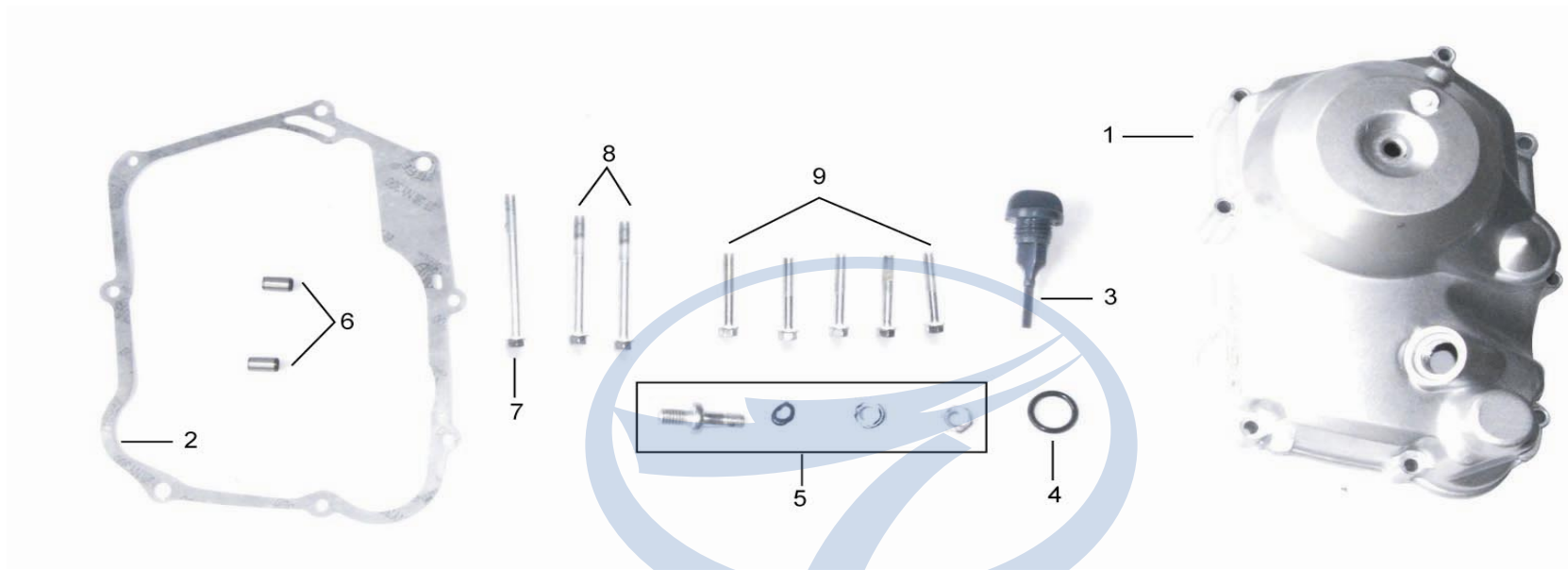
KINROAD

## XT90GK ENGINE



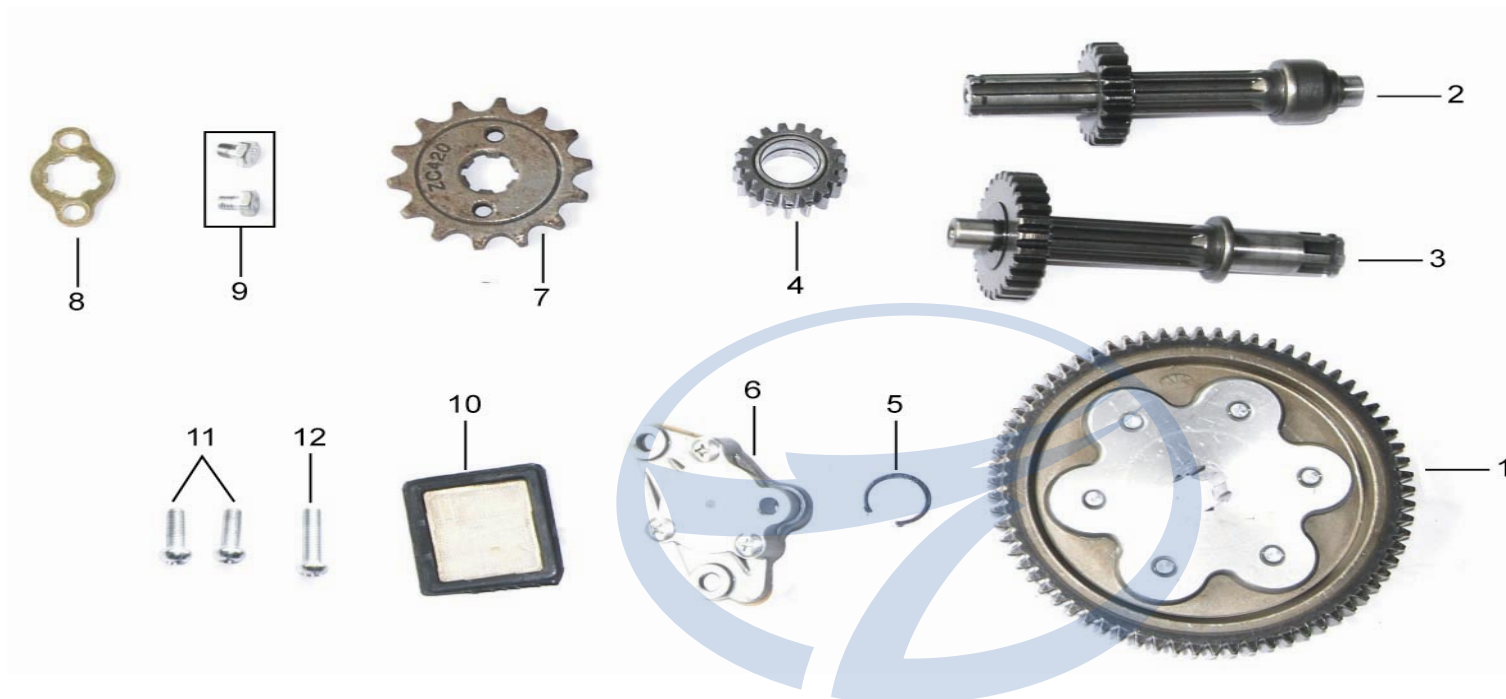
NO.	Part No.	Description	Description in English	数量Qty	备注Remark
1	147FMF-040001	汽缸体	CYCLDER	1	
2	147FMF-040002	汽缸体垫片	GASKET	1	
3	147FMF-040003	定位销8×12	POSITION PIN 8×12	2	
4	147FMF-040004	矩形密封圈11.5×15.7×2.4	RECTANGLE SEAL 11.5×15.7×2.4	1	
5	147FMF-040005	定位销8×14	POSITION PIN 8×14	2	
6	147FMF-040006	矩形密封圈14×5×18.5×2.4(缸头用)	RECTANGLE SEAL 14×5×18.5×2.4	1	
7	147FMF-040007	曲轴	CRANK	1	
8	147FMF-040008	活塞环组	PISTON RING SET	1	
9	147FMF-040009	活塞	PISTON RING	1	
10	147FMF-040010	活塞销	PISTON PIN	1	
11	147FMF-040011	活塞销卡簧	CIRCLIP PISTON PIN	2	
12	147FMF-040012	半圈键	KEY	1	
13	147FMF-040013	六角十字特殊螺栓M6×25	CROSS SPECIAL BOLT M6×25	1	

## XT90GK ENGINE



NO.	Part No.	Description	Description in English	数量Qty	备注Remark
1	147FMF-050001	右盖	R, COVER	1	
2	147FMF-050002	右盖垫片	GASKET, R COVER	1	
3	147FMF-050003	机油尺	OIL-RULER	1	
4	147FMF-050004	“O”环18×3.5	“O” RING 18×3.5	1	
5	147FMF-050005	离合器调接组件	CLUTCH ADJUSTING ASSY	1	
6	147FMF-050006	定位销8×12	POSITION PIN 8×12	1	
7	147FMF-050007	六角法兰螺栓M6×80	BOLT M6×80	1	
8	147FMF-050008	六角法兰螺栓M6×65	BOLT M6×65	1	
9	147FMF-050009	六角法兰螺栓M6×40	BOLT M6×40	2	

## XT90GK ENGINE

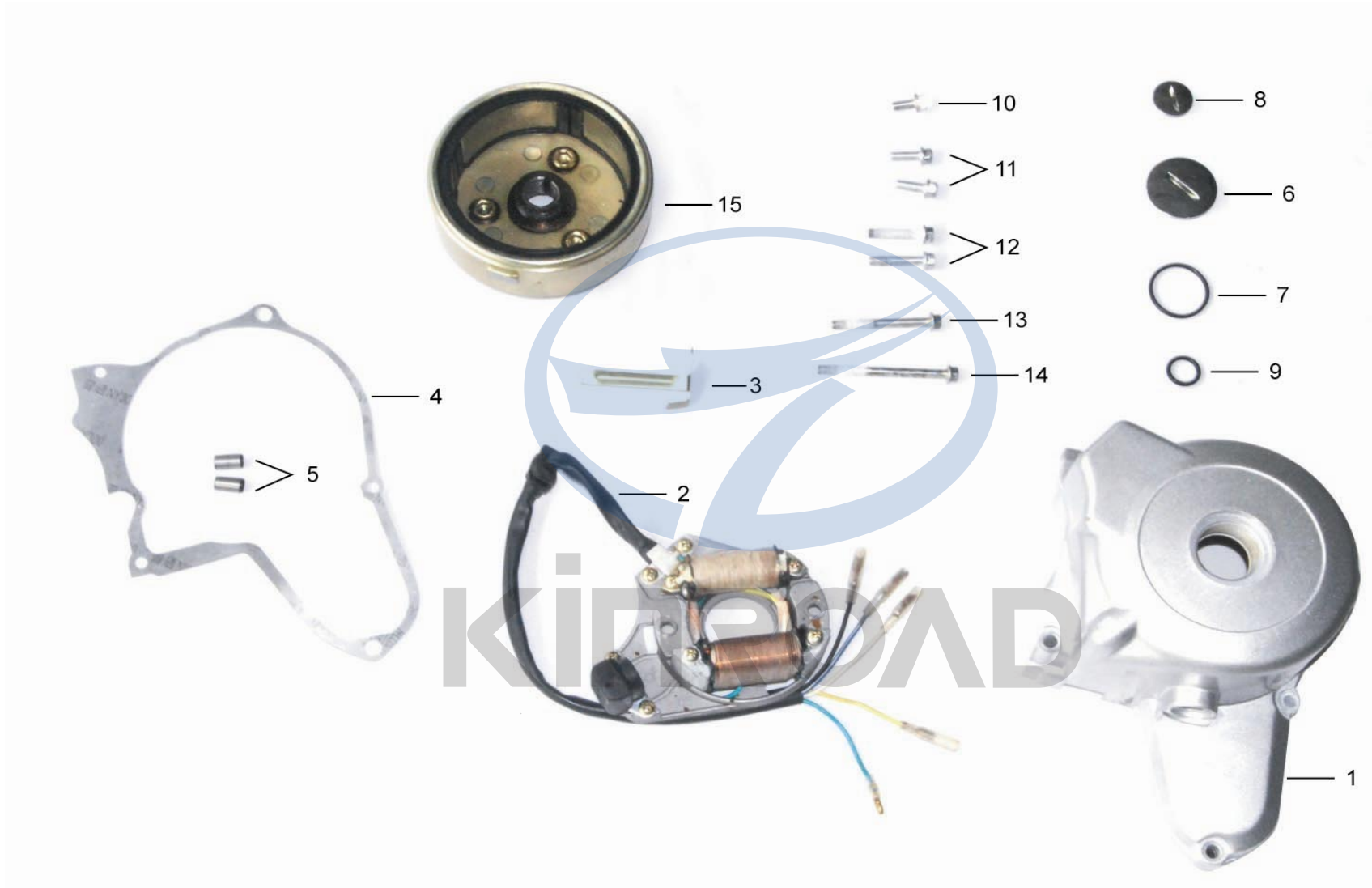


NO.	Part No.	Description	Description in English	数量Qty	备注Remark
1	147FMF-060001	初级从动齿轮	PRIMARY DRIVEN GEAR	1	
2	147FMF-060002	主轴	MAIN SHAFT	1	
3	147FMF-060003	副轴	DRIVEN SHAFT	1	
4	147FMF-060004	初级主动齿轮	PRIMARY DRIVE GEAR	1	
5	147FMF-060005	C形卡簧(从动齿卡簧)	"C"CLIP SPRING	1	
6	147FMF-060006	机油泵	OIL PUMP	1	
7	147FMF-060007	驱动链轮(小飞)	DRIVE SPROCKET	1	
8	147FMF-060008	链轮压板	SPROCKET PLATE	1	
9	147FMF-060009	六角螺栓M6×10	BOLT M6×10	2	
10	147FMF-060010	机油滤网	OIL FILTER	1	
11	147FMF-060011	圆头十字螺栓M6×16	BOLT M6×16	2	
	147FMF-060012	圆头十字螺栓M6×22	BOLT M6×22	1	

**KINROAD XINTIAN Motorcycle Manufacture CO.,LTD**



# XT90GK ENGINE



KINROAD XINTIAN Motorcycle Manufacture CO.,LTD

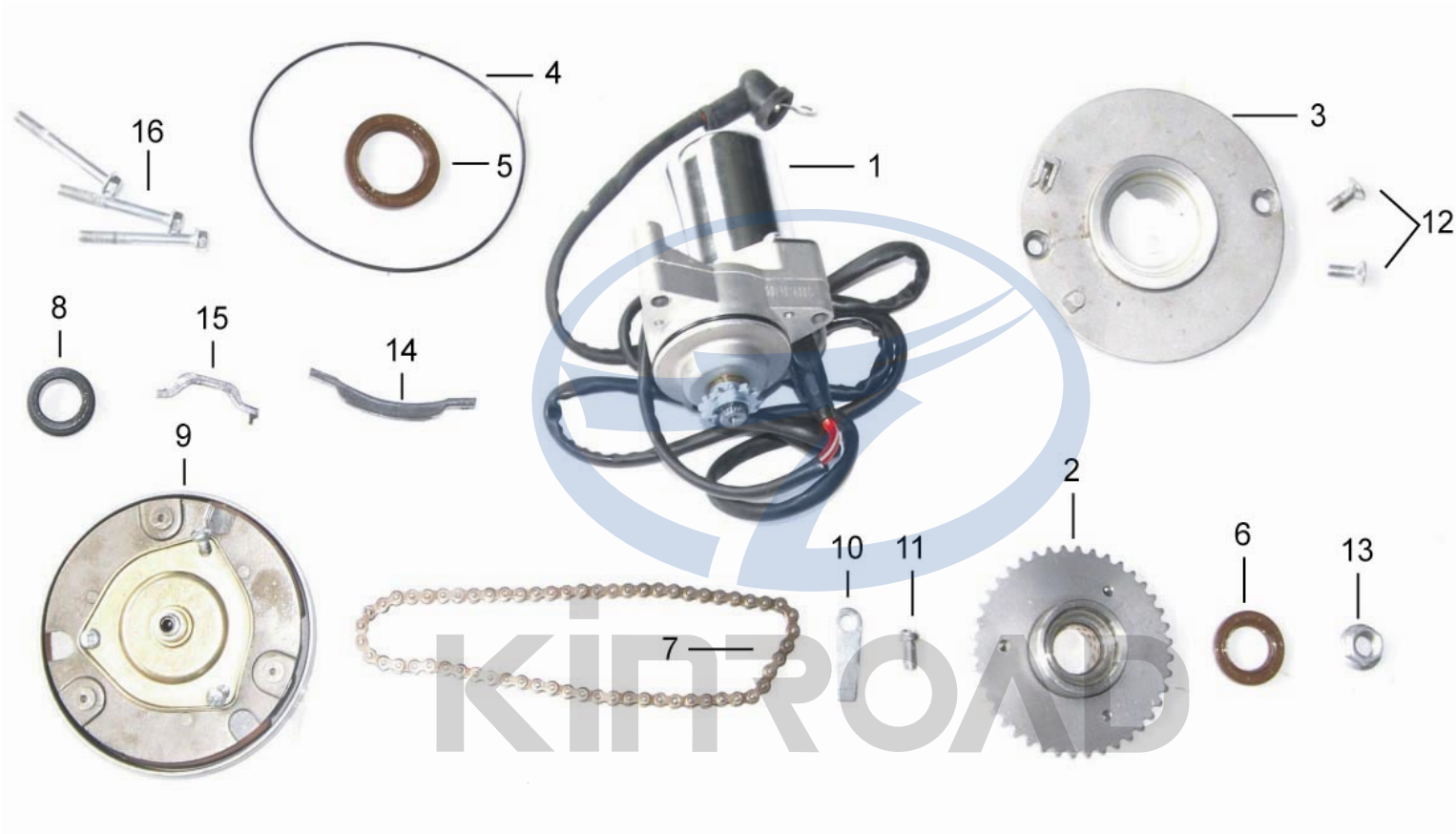


## XT90GK ENGINE

NO.	Part No.	Description	Description in English	数量Qty	备注Remark
1	147FMF-070001	左盖	L, COVER	1	
2	147FMF-070002	磁电机定子	MAGNETO STARTOR	1	
3	147FMF-070003	磁电机线夹	WIRE CLAMP	1	
4	147FMF-070004	左盖垫片	GASKET, L COVER	1	
5	147FMF-070005	定位销8×12	POSITION PIN 8×12	2	
6	147FMF-070006	调整孔盖（大）	ADJUSTING COVER (BIG)	1	
7	147FMF-070007	“O”环25×2.4	“O” RING 25×2.4	1	
8	147FMF-070008	调整孔盖（小）	ADJUSTING COVER (SMALL)	1	
9	147FMF-070009	“O”环18.5×2.5	“O” RING 18.5×2.5	1	
10	147FMF-070010	六角法兰螺栓M6×10	BOLT M6×10	1	
11	147FMF-070011	六角法兰螺栓M6×12	BOLT M6×12	2	
12	147FMF-070012	六角法兰螺栓M6×32	BOLT M6×32	2	
13	147FMF-070013	六角法兰螺栓M6×50	BOLT M6×50	1	
14	147FMF-070014	六角法兰螺栓M6×70	BOLT M6×70	1	
15	147FMF-070015	磁电机转子	MAGNETO ROTOR	1	

KINROAD

# XT90GK ENGINE



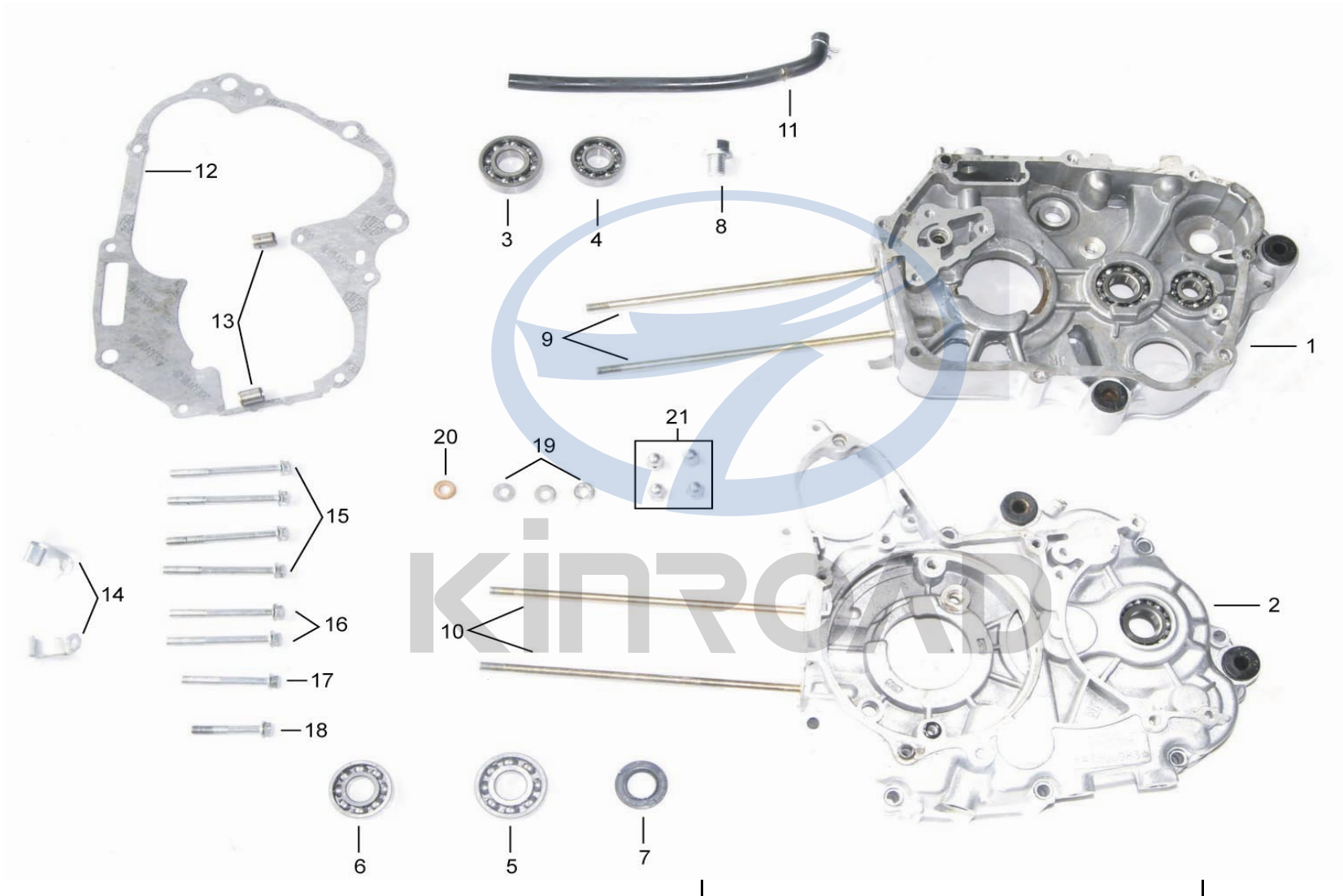
**KINROAD XINTIAN Motorcycle Manufacture CO.,LTD**

## XT90GK ENGINE

NO.	Part No.	Description	Description in English	数量Qty	备注Remark
1	147FMF-080001	起动马达	STARTING MOTOR	1	
2	147FMF-080002	起动齿轮(超越链轮)	STARTING GEAR	1	
3	147FMF-080003	盘盖(隔油盘)	DISK INSULATOR	1	
4	147FMF-080004	“O”环107×2	“O” RING 107×2	1	
5	147FMF-080005	油封30×42×4	OIL SEAL 30×42×4	1	
6	147FMF-080006	油封18.9×28×5	OIL SEAL 18.9×28×5	1	
7	147FMF-080007	启动链条	STARTING CHAIN	1	
8	147FMF-080008	离合器衬套	CLUTCH BUSH	1	
9	147FMF-080009	离合器(无级变速)	CLUTCH	1	
10	147FMF-080010	起动齿轮定位板	ANTI—MOVING SET, STARTING GEAR	1	
11	147FMF-080011	圆头十字螺栓M6×12	BOLT M6×12	1	
12	147FMF-080012	平头十字螺栓M6×12	BOLT M6×12	2	
13	147FMF-080013	六角法兰螺母M10	NUT M10	1	
14	147FMF-080014	链条导向板	GUIDE, START CHAIN	1	
15	147FMF-080015	链条护板	TIGHTENING PLATE	1	
16	147FMF-080016	六角法兰螺栓M6×45	BOLT M6×45	3	

KINROAD

# XT90GK ENGINE



KINROAD XINTIAN Motorcycle Manufacture CO.,LTD

## XT90GK ENGINE

NO.	Part No.	Description		数量Qty	备注Remark
1	147FMF-090001	右曲轴箱	R, CRANKCASE COVER	1	
2	147FMF-090002	左曲轴箱	L, CRANKCASE COVER	1	
3	147FMF-090003	轴承6201	SHAFT 6201	1	
4	147FMF-090004	轴承6203	SHAFT 6203	1	
5	147FMF-090005	轴承6203	SHAFT 6203	1	
6	147FMF-090006	轴承6001	SHAFT 6001	1	
7	147FMF-090007	油封17×29×5	LAYSHAFT OIL SEAL 17×29×5	1	
8	147FMF-090008	放油螺栓M12×15	BOLT M12×15	1	
9	147FMF-090009	双头螺栓M6×198	DOUBLE-ENDED BOLT M6×198	2	
10	147FMF-090010	双头螺栓M6×205	DOUBLE-ENDED BOLT M6×205	2	
11	147FMF-090011	通气管组件	BREATHER PIPE	1	
12	147FMF-090012	箱体垫片	GASKET	1	
13	147FMF-090013	定位销8×14	POSITION PIN 8*14	2	
14	147FMF-090014	通气管管夹	BREATHER PIPE CLIP	2	
15	147FMF-090015	六角法兰螺栓M6×65	BOLT M6×65	4	
16	147FMF-090016	六角法兰螺栓M6×60	BOLT M6×60	2	
17	147FMF-090017	六角法兰螺栓M6×50	BOLT M6×50	1	
18	147FMF-090018	六角法兰螺栓M6×40	BOLT M6×40	1	
19	147FMF-090019	钢垫6.5×2.0	COPPER GASKET 6.2×13.0×1.8	3	
20	147FMF-090020	铜垫6.5×2.0	ALUMINUM GASKET 6.5×13.0×1.8	1	
21	147FMF-090021	盖形螺母M6	NUT M6	4	